



TROJAN



PRODUCT GUIDE

TRAIL COM
TRAILER & RV COMPONENT SPECIALISTS

QUALITY TRAILER & CARAVAN COMPONENTS

INDEX

65	Awning Accessories	43	D-Shackles
65	Awning Anchor & Strap Kits	65	De-Flappers
65	Awning De-Flappers	44	Disc Brake Hub Kits
3-9	Axle	46	Door Catches & Locks
29	Axle Droppers	46	Door Locks
28-29	Axle & Spring Fittings	16-17	Drum Braked Hub Kits
52	Ball Mounts	43-44	Drop Catches & Eye Plates
52	Ball Mounts – Draw Bar	3-5	Duratorque Suspensions
24	Battery Boxes	21-23	Electric Brake Controllers
24	Battery Boxes & Bracket	16	Electric Braked Hub Kits
18	Bearings & Seals	21-23	Electric Brake Operating Equipment
50	Bearing Lubricators	59	Electrical Cable & Plugs
ix	Bike Racks	xi	Electric Jockey Wheel
41	Boat Rollers & Fittings	38	Electric Stabilizer Legs
43-46, 53	Body Hardware	52	Folding Drawbar
19	Brake Calipers & Kits	46	Gas Bottle Holder
1-2	Brake Couplings	44	Hinge Straps & Gudgeons
21-23	Brake Controllers & Activators	50	Hitch Aligner
24	Cable Kits, Guides & Adjusters	50	Hitch Aligners & Locks
59	Cable & Clips-Electronic	20	Hose Kits & Hoses
viii	Caravan Covers	11-12	Hub Kits-Non Braked
62	Caravan Levels	13-15	Hub Kits-Disc Braked
63-64	Chocks	16-17	Hub Kits-Drum Braked
65	Containers & Buckets	22-23	Hydrastar Brake Activators
20	Copper & Bundy Tubing	63	Jack Pads
37	Corner Jacks/Steadys	33-38	Jockey Wheels & Stands
1-2	Couplings – Braked & Non Braked	36	Jockey Wheel – Ratchet Type
53	Coupling Security Locks	45-48	Lashing Equipment
100	Covers	25-27	Leaf Springs & Kits

INDEX

- | | | | |
|-------|-----------------------------|-------|-----------------------------|
| 62-64 | Leveling Equipment | 64 | Steps |
| 62 | Levels | 55-58 | Submersible Lights |
| 55-61 | Lights –All Types | 3-5 | Suspensions – Duratorque |
| 58 | Light Boards | 25-27 | Suspensions –Leaf Springs |
| 47 | Load Levellers | 47-48 | Sway Control |
| 53 | Locking Wheel Nuts | 43-46 | Tail Gate Fittings |
| 44 | Lynch Pins | 55-58 | Tail Lights |
| 2 | Master Cylinders & Spares | 26-27 | Tandem Suspensions |
| 2 | Master Cylinder Brackets | 48 | Tie Downs |
| 24 | Mechanical Brake Cable Kits | 51 | Tow Balls & Accessories |
| 49 | Mirrors – Towing | 50 | Towing Aids |
| 32 | Mudguards | 1-2 | Trailer Couplings |
| 18 | Oil Seals 7 & 8 Bearings | 31 | Tyres & Tubes |
| 65 | Outdoor Accessories | 49 | Towing Mirrors |
| 2 | Override Couplings | 28 | U Bolts & Plates |
| 24 | Park Brake Lever | 66-67 | Vent Covers |
| 37 | Park Leg & Handle | 67 | Vent Hardware |
| 44 | R Clips | 66 | Vent Installation – Kits |
| 55-58 | Reflectors | 66 | Vent Lids |
| 41 | Rollers-Boat Trailers | 67 | Vent Shades |
| 62 | RV Levels | 67 | Vents – Solar |
| 46 | Safety Chain & Fittings | 68 | Water Heating Fittings |
| 18 | Seals & Bearings | 47 | Weight Distributing Hitches |
| 53-54 | Security Products | 62-64 | Wheel Chocks |
| 41 | Snub Blocks | 54 | Wheel Locks |
| 67 | Solar Vents | 54 | Wheel Clamps |
| 49 | Spare Wheel Mount | 30-31 | Wheels & Tyres |
| 25-29 | Springs & Fittings | 39-40 | Winches – Manual & Electric |
| 47-48 | Stabilising Equipment | 39 | Winch Wires & Ropes |
| 64 | Steps | 42 | Wobble Rollers & Brackets |

NEW RELEASE PRODUCTS FOR 2015

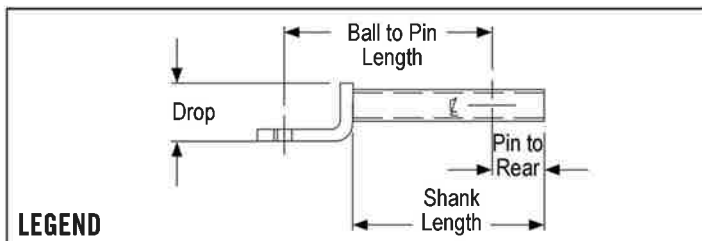
xī	Accessories - Trojan
xīī	Axles Parallel Stubs
vīī	Ball Mounts - Pro Series
īx	Bike Carriers - Pro Series
vī	Brake Commander
x	Brake Controllers - Hayman Reese
vīīī	Caravan Covers - Pro Series
xīīī	Hub Kit Disc Braked Parallel
xīīī	Hub Only Disc Braked Parallel
xīīī	Hub Kit Electric Braked Parallel
xīīī	Hub Only Electric Braked Parallel
xīīī	Hub Kit Non-Braked Parallel
xīīī	Hub Only Non-Braked Parallel
i	Jockey Wheel - Fulton
īv - v	Park Legs - Bulldog
xīv	Replacement Parts, Stubs, Drums, Hubs Parallel
xīv	Stubs Parallel
īī - īīī	Winches - Fulton

NEW PRODUCTS



Pro Series has released its Trailer Ball Mount and Bike carriers to industry applause. Great products at great value pricing.

Pro Series Trailer Ball Mounts



For towing capacity details please refer to your vehicle owner's manual or to the vehicle manufacturer. These products may reduce your vehicle tow rating capacity.

Part No:	Description:
PRO7010	Capacity: 2500kg Ball to Pin Length: 332mm Shank Length: 305mm Drop: 98mm Pin to Rear: 83mm
PRO7011	Capacity: 3500kg Ball to Pin Length: 227mm Shank Length: 200mm Drop: 98mm Pin to Rear: 83mm
PRO7012	Capacity: 3500kg Ball to Pin Length: 193mm Shank Length: 166mm Drop: 98mm Pin to Rear: 83mm
PRO7227	Capacity: 2500kg Ball to Pin Length: 237.5mm Shank Length: 220mm Drop: 160mm Pin to Rear: 110mm
PRO7200	Capacity: 2500kg Ball to Pin Length: 300mm Shank Length: 250mm Drop: 155mm Pin to Rear: 83mm

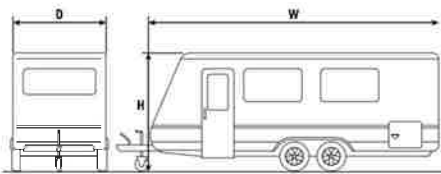


NEW PRODUCTS



The Pro Series Protective Caravan Cover is made from three layers of breathable, heavy duty material to help keep your caravan clean and to protect it from, wind and dust.

Pro Series Caravan Cover



Part No:	Description:
	<ul style="list-style-type: none"> • 160gsm triple layer waterproof material • 110gsm breathable sides includes handy repair patch ropes • Eyelets sewn in front and rear panels to provide snug fit • 12 month nationwide warranty
PRO1416 (XS)	14 - 16ft W4.9 x H2.6 x D2.4m
PRO1618 (S)	16 - 18ft W5.5 x H2.6 x D2.4m
PRO1820 (M)	18 - 20ft W6.1 x H2.6 x D2.4m
PRO2022 (L)	20 - 22ft W6.6 x H2.6 x D2.4m
PRO2224 (XL)	22 - 24ft W7.3 x H2.6 x D2.4m
PRO2426 (XXL)	24 - 26ft W7.9 x H2.6 x D2.4m



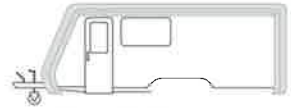
Protect your Caravan from different weather conditions when not in use.



Unzip front panel to access door at front.



Unzip rear panel to access door at rear.



Roll-up one side for full access to your Caravan.



Also included is a fully extendable awning that creates convenient shade and protection from the elements.

Note: Tent poles, tent pegs and extra ropes are not included.

NEW PRODUCTS



Pro Series Bike Carriers

Part No:	Description:
PRO2132	<p>Ball Mount 2 - Ball Mount Bike Carrier</p> <ul style="list-style-type: none"> • Carries up to 2 bikes • Soft rubber cradles hold bikes securely while traveling • Can be used in conjunction with any style tow bar using a 50mm tow ball • Premium powder coat rust resistant finish • Features license plate holder
PRO2123	<p>Eclipse 3 - Hitch Mount Bike Carrier</p> <ul style="list-style-type: none"> • Carries up to 3 bikes • Tilt feature allows easy boot access and unloading of bikes • Velcro securing straps permit quick and easy bike loading and removal • Soft rubber cradles hold bike securely while traveling • Suitable for 50mm x 50mm hitch receivers • Premium powder coat rust resistant finish • Features license plate holder
PRO2124	<p>Eclipse 4 - Hitch Mount Bike Carrier</p> <ul style="list-style-type: none"> • Carries up to 4 bikes • Tilt feature allows easy boot access and unloading of bikes • Velcro securing straps permit quick and easy bike loading and removal • Soft rubber cradles hold bike securely while traveling • Suitable for 50mm x 50mm hitch receivers • Premium powder coat rust resistant finish
PRO2000	<p>Axis 3 - Boot Mount Bike Carrier</p> <ul style="list-style-type: none"> • Boot mountable bike carrier suitable to transport up to 3 bikes • Perfect for consumers who don't have a towbar on their vehicle • Axis design helps eliminate load off vehicles boot and hatch • Fits most cars, vans and SUVs • Arched support tubes to fit vehicles with most spoilers • Sliding cradles for easier bike loading • Oversized foam pads provide greater weight distribution and vehicle protection • Premium E-coat and powder coat rust resistant finish
PRO2145	<p>Accessory - Bike Carrier Adaptor</p> <ul style="list-style-type: none"> • A telescopic tube to enable level transportation of bicycles with a sloping crossbar

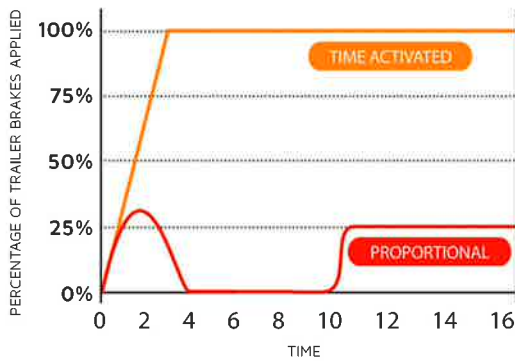


NEW PRODUCTS



Brake Controllers now available via TrailCom. The Towing Legends in Electric braking has all you need on hand.

Time Activated vs. Proportional Brake Control



Australian road rules state that all trailers with a gross trailer mass exceeding 750kg must have brakes. The most common heavy trailers operate either an electromagnetic or hydraulic trailer brake system that both require a brake controller to moderate braking on the trailer.

There are two main types of Brake Control systems – Time-activated and Proportional. Time-activated systems apply maximum trailer braking over a preset time - usually one to three seconds. Proportional systems determine the tow vehicle’s rate of deceleration and apply the trailer brakes to match.

Typically speaking, time-activated systems are suitable for towing lighter loads and for straighter, flatter roads. Proportional systems are more suited to towing loads over two tonnes and when driving in hilly and/or windy conditions.

Hayman Reese provides both time activated and proportional brake control units.

Hayman Reese Brake Controllers - See page 21 - 22 for product information.



NEW PRODUCTS



Just in time for the Caravan Season we have two of the hottest products around.

The Trojan Electric Jockey Wheel and Caravan Scales are guaranteed to drive accessory sales in store.

Trojan Accessories

Part No:	Description:
307015	<p>12V Motorised Jockey Wheel</p> <p>Trojan's 12V Motorised Jockey Wheel eases the hassle of parking your caravan in tight spaces and corners. Working on single and dual axle caravans, boat or trailer, this Jockey Wheel is versatile and easy to use.</p> <ul style="list-style-type: none">• Compatible with single and dual axle caravans• Includes wiring loom to connect to 12V battery• Easy to use and install• Uses standard clamp bracket
993920	<p>Tow Ball Weight Scales</p> <ul style="list-style-type: none">• Measure the ball weight of your caravan or trailer• Measures between 100kg & 350kg• Balance your load



NEW PRODUCTS



Trojan Parallel Axle and Hubs Systems

Our new range incorporates state of the art design and industry tested standards to bring you the lightest, strongest system we offer.

1750kg ratings across our braked, non-braked and electric brake systems are a new benchmark. Combined with our "Hollow Axle" technology they are almost 50% lighter than our competition.

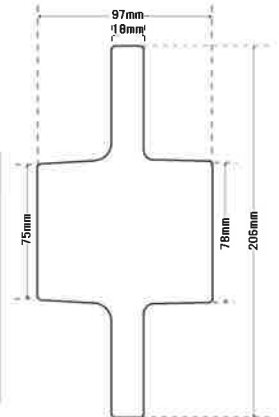
Trojan Axles Hollow Beam 1750kg Parallel Stub

Part No:	Axle:	Description:	Finish:
026265	Non-Braked - Parallel 65"	Non Braked Parallel 1750kg 65 inch	Bare Metal
026277	Non-Braked - Parallel 77"	Non Braked Parallel 1750kg 77 inch	Bare Metal
026294	Non-Braked - Parallel 94"	Non Braked Parallel 1750kg 94 inch	Bare Metal
026465	Disc Brake Axle - Parallel 65"	Disc Braked Parallel 1750kg 65 inch	Bare Metal
026477	Disc Brake Axle - Parallel 77"	Disc Braked Parallel 1750kg 77 inch	Bare Metal
026494	Disc Brake Axle - Parallel 94"	Disc Braked Parallel 1750kg 94 inch	Bare Metal
026665	Electric Drum Axle - Parallel 65"	Electric Drum Parallel 1750kg 65 inch	Bare Metal
026677	Electric Drum Axle - Parallel 77"	Electric Drum Parallel 1750kg 77 inch	Bare Metal
026694	Electric Drum Axle - Parallel 94"	Electric Drum Parallel 1750kg 94 inch	Bare Metal

NOTE: Galvanised and e-coated axles available on request. Other sizes available on request.



NEW PRODUCTS

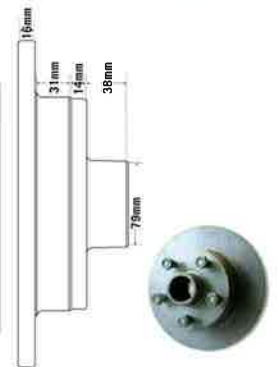


Trojan Non Braked Hub Kits Parallel

Part No:	Axle:	Description:	Suits:	Finish:
085501	Hub Kit NB PAR 6X5-1/2X1/2	Hub Kit Non Braked 1750kg 6 stud 5-1/2 X 1/2 inch	L/Cruiser	Black Paint
085503	Hub Kit NB PAR 5X150X9/16	Hub Kit Non Braked 1750kg 5 stud 150mm x 9/16 inch	L/Cruiser NEW	Black Paint
085505	Hub Kit NB PAR 5X4-1/2X1/2	Hub Kit Non Braked 1750kg 5 stud 4 1/2 X 1/2 inch	Ford	Black Paint

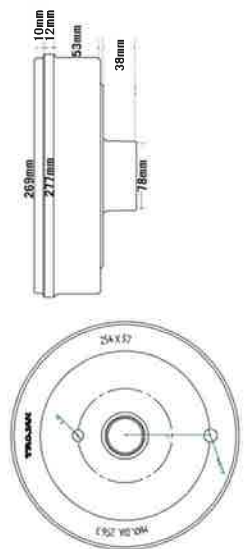
Trojan Disc Braked Hub Kits Parallel

Part No:	Axle:	Description:	Suits:	Finish:
039551	Hub Kit Braked PAR 6X5-1/2X1/2	Hub Kit Disc Braked 1750kg 6 stud 5-1/2 X 1/2 inch	L/Cruiser	Black Paint
039553	Hub Kit Braked 5X150X9/16	Hub Kit Disc Braked 1750kg 5 stud 150mm x 9/16 inch	L/Cruiser NEW	Black Paint
039555	Hub Kit Braked 5X4-1/2X1/2	Hub Kit Disc Braked 1750kg 5 stud 4 1/2 X 1/2 inch	Ford	Black Paint



Trojan Disc Electric Drum 10" Parallel (Includes Backing Plate)

Part No:	Axle:	Description:	Suits:	Finish:
096560LH	Hub Kit 10" PAR 6X5-1/2X1/2	Hub Kit Electric 1750kg 6 stud 5-1/2 X 1/2 inch LH	L/Cruiser	Black Paint
096560RH	Hub Kit 10" PAR 6X150X9/16	Hub Kit Electric 1750kg 6 stud 5-1/2 X 1/2 inch RH	L/Cruiser	Black Paint
096563LH	Hub Kit 10" PAR 6X150X9/16	Hub Kit Electric 1750kg 5 stud 150mm x 9/16 inch LH	L/Cruiser NEW	Black Paint
096563RH	Hub Kit 10" PAR 6/150/9/16	Hub Kit Electric 1750kg 5 stud 150mm x 9/16 inch RH	L/Cruiser NEW	Black Paint
096565LH	Hub Kit 10" PAR 5X4-1/2X1/2	Hub Kit Electric 1750kg 5 stud 4 1/2 X 1/2 inch LH	Ford	Black Paint
096565RH	Hub Kit 10" PAR 5X4-1/2X1/2	Hub Kit Electric 1750kg 5 stud 4 1/2 X 1/2 inch RH	Ford	Black Paint



Hub Kits: Cupped with Bearings seals, grease cap, axle nut split pin and washer.



NEW PRODUCTS



Parallel Replacement Parts, Stubs, Drums, Hubs

Part No:	Item:	Description:	Suits:	Finish:
688110	Seal	Replacement Seal	N/A	
501434	Washer Axle 1" Parallel	WASHER AXLE 1" PARALLEL	N/A	
688137	Cone L68149	Bearing Cone L68149	N/A	
748157	Split Pin Parallel	Split Pin Parallel Axle	N/A	
801735	Grease cap 63.5mm	Grease cap 63.5mm	N/A	
993465	Flange 10" parallel bearing	Flange 10" parallel bearing	N/A	
994126	Nut Castle 1" UNF Parallel	Nut Castle 1" UNF Parallel	N/A	
995004	Parallel Stub Axle Non Braked	Stub axle non braked parallel	Non Braked	
995008	Parallel Disc Brake Stub ASSY	Stub and yoke disc brake parallel	Disc Braked	
995012	Parallel Elec Brake Stub ASSY	Stub axle & flange electric parallel	Electric Drum	
606021	Hub NB Parallel 6X5-1/2X1/2	Hub only NB Parallel 6X5-1/2X1/2	L/Cruiser	Black Paint
606023	Hub NB Parallel 5X150X9/16	Hub only NB Parallel 5X150X9/16	L/Cruiser NEW	Black Paint
606025	Hub NB Parallel 5X4-1/2X1/2	Hub only NB Parallel 5X4-1/2X1/2	Ford	Black Paint
700145	Hub parallel bearing top hat	Hub only Disc Braked 6 stud 5-1/2 X 1/2 inch	L/Cruiser	Black Paint
700147	Hub parallel bearing top hat	Hub only Disc Braked 5 stud 150mm x 9/16 inch	L/Cruiser NEW	Black Paint
700149	Hub parallel bearing top hat	Hub only Disc Braked 5 stud 4 1/2 X 1/2 inch	Ford	Black Paint
997461	Drum 10" Parallel 6X5-1/2X1/2	Drum only 10" Parallel 6X5-1/2X1/2	L/Cruiser	Black Paint
997463	Drum 10" Parallel 5X150X9/16	Drum only 10" Parallel 5X150X9/16	L/Cruiser NEW	Black Paint
997465	Drum 10" Parallel 5X4-1/2X1/2	Drum only 10" Parallel 5X4-1/2X1/2	Ford	Black Paint



TRAILER COUPLINGS

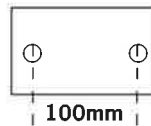
All Trojan Plunger Style Couplings comply with Australian Standard AS4177.3 [1994]
All feature a lockable safety trigger and a tow ball anti rattle screw. They feature oversized handles and all parts are replaceable.

Trojan Non Braked Coupling - 2000kg Capacity

Part No	Capacity	Ball Dia	Mounting	Finish
616201	2000kg	50mm	2 Hole	Painted
616202	2000kg	50mm	2 Hole	Zinc Plated
616203	2000kg	50mm	3 Hole	Painted

Accessories

Part No:	Description:
828161	Mounting Plate, bare metal

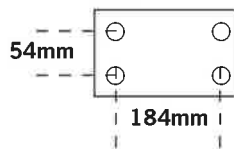


Trojan Electric - 3500kg Capacity

Part No	Capacity	Ball Dia	Mounting	Finish	Description
614010	3500kg	50mm	4 hole	Zinc Plated	Fitted with park break lever

Accessories

Part No:	Description:
818163	Mounting Plate, bare metal

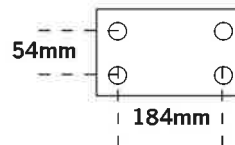


Coupling - 6000kg Capacity

Part No	Capacity	Ball Dia	Mounting	Finish
614070	6000kg	70mm	4 hole	Paint

Accessories

Part No:	Description:
614075	Towball 70mm 1 1/2" shank
614080	Mounting Plate



OFF ROAD & AGRICULTURE COUPLINGS

Coupling - 2500kg Capacity

These couplings are designed specifically for off highway use where maximum articulation is required.

Part No.	Description
616207	2000kg Polyblock inc. hitch off road
616210	2000kg Polyblock inc. hitch off road, override



TRAILER COUPLINGS - OVERRIDE

Trojan Override Coupling - 2000kg

All Trojan Couplings are the snap lock type and all comply with Australian Standard ASA41707.3 [1994] These couplings have a compression spring as a dampening medium and for strength the head and main-shaft are one piece (201677 uses a lighter spring for trailers up to 1000kg, to improve braking).

Part No	Description	Mount	Ball Size
201677	Spring Dampened Coupling (Soft Spring)	4 hole	50mm - 1000kg
201678	Spring Dampened Coupling	4 hole	50mm - 2000kg

Accessories

Part No:	Description:
828163	Coupling mounting plate



BRAKED COUPLING FITTINGS

Mechanical Back Frame

Part No	Description
201679	Park Brake Lever & Mounting Base



Hydraulic Back Frame

Part No	Description
201681	Frame, Lever & 3/4" Master Cylinder Assy.
201680	Frame & Lever Assy.



Master Cylinders & Spares

Part No	Description
PT10391	3/4" Bore Master Cylinder - loose (P6975)
PT10392	7/8" Bore Master Cylinder - loose (313007)
PT1086	Seal Kit. 3/4"
PT1090	Seal Kit 7/8"
PT1040	Cap 3/4" - loose (C93171)
PT10402	Cap 7/8" - loose



Spares For Trojan Couplings

Part No:	Description:
PT4000	Trigger & Spring - loose (994500)
PT4001	Lock Pin & Spring - loose (994501)
PT4002	Handle Assy - loose (994502)
PT1028	Adjustment Screw M16
PT4003	Adjustment Screw 1/2"

DURATORQUES

General Information

Duratorque is a superior suspension system that is suitable for fitment to and use on all types of trailers. Using specially formulated rubber cords as a springing medium, Duratorques are totally self-contained and easily fitted to the trailer chassis. Because the two sides are not connected, each wheel is sprung independently.

All Duratorque components are either galvanised or electro zinc plated for protection against corrosion.

Carrying capacities for all types range from 1000kg to 2200kg for single axle applications and a 3000kg version is available in full beam form only. All Duratorques are available in non braked form and from 1000kg upwards in braked form. These brakes can be hydraulic disc, 1500kg, 2200kg & 3000kg capacity. Electric drum in 1500kg, 2200kg & 3000kg capacities and hydraulic drum in 1250kg capacity.

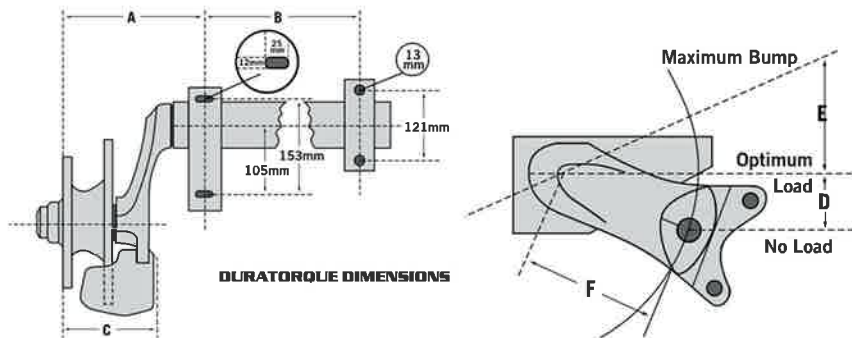
Available as TWO PIECE units which will fit any chassis width and which are available from stock or as FULL BEAM or one piece units which are manufactured to the customers specifications. Full beams are also available in a GULL WING form for fitment to boat trailers allowing the boat to sit lower on the trailer.

All Duratorques are fitted with a label showing the maximum carrying capacity over two wheels. This includes the weight of the trailer. When mounted in tandem the capacity is to be de-rated by 25%. i.e. Two 1500kg Duratorques mounted in tandem will carry 2250kg.

It is recommended that Duratorques be mounted to the trailer with the swing arms trailing. When mounted in tandem the distance between the tyres be kept to a minimum and should not exceed 150mm. The distance between the top of the tyres and the mudguards when the Duratorques are new and unloaded should be at least 120mm.

When mounted in tandem and only one axle is braked this must be the front axle.

When ordering full beam Duratorques the customer is to supply certain information. See page 4.



DURATORQUE - QUALITY RUBBER SUSPENSION SYSTEM				
Fig:	Types:	1000kg & 1500kg	2000kg	3000kg
A	Two Piece Type	220mm	210mm	220mm
	Two Piece Retro	200mm	NA	NA
B	Two Piece Type	340mm to 440mm	340mm to 440mm	NA
	Disc Braked - All	163mm	165mm	165mm
	Hyd Drum - All	80mm	NA	NA
	Elec Drum - All	95mm	NA	NA
D	All Types	60mm	60mm	25mm
E	All Types	60mm	60mm	80mm
F		135mm	135mm	

DURATORQUES

Ordering Full Beam Duratorques

CARRYING CAPACITY

This is the maximum load including the trailer weight.

SINGLE AXLE OR TANDEM

If tandem then the carrying capacity of each Duratorque is to be reduced by 25%.

HUB EQUIPMENT

Are hubs to be braked or non braked. Are hubs to be assembled to the suspension by Trojan. What is the studding of the hubs to be.

FACE TO FACE MEASUREMENT

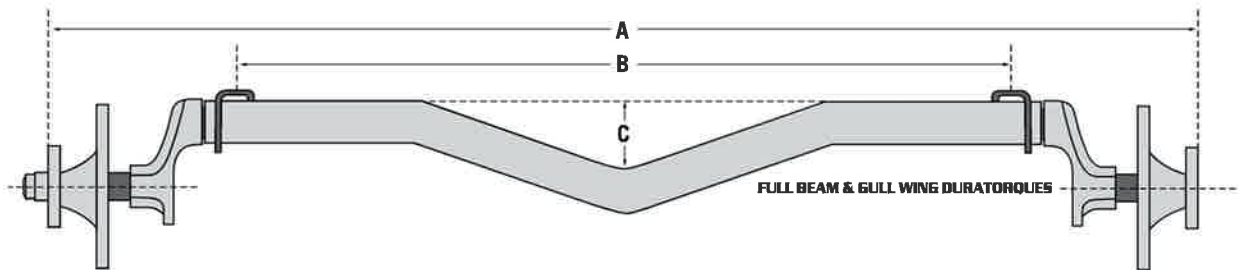
This is the measurement from the outside face of one hub to the opposite one. See A below.

MOUNTING CENTERS

This measurement is from centre to centre of the mounting brackets. See B below.

GULL WING TYPE

Measurements A & B are required plus C which is the required depth of the bend. This can be 60mm, 90mm or 120mm.



If the customer cannot supply A & B details above then the following information is required:

Chassis overall width

Is the Duratorque going to be mounted directly under the chassis or on an angle runner outside the chassis?

Outside to outside measurement of mudguards?

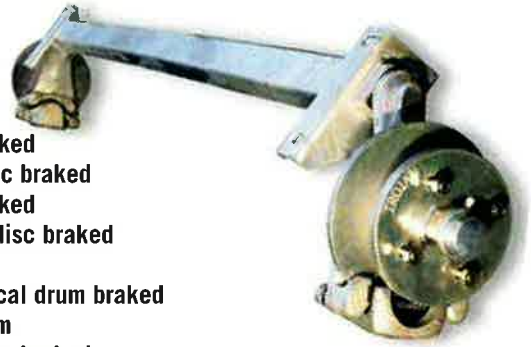
What is the inside & outside offset of the wheels being used. How many studs & what diameter?

What is the pitch circle diameter?

DURATORQUES

Trojan Straight Beam Type

Part No:	Capacity:	Beam Size:	Hub Type:
101040	1000kg	65mm sq	Non braked & disc braked
101044	1500kg	65mm sq	Non braked hubs & disc braked
101048	1750kg	65mm sq	Non braked & disc braked
101050	1750kg HD	65mm sq	Non braked & top hat disc braked
101056	1500kg	65mm sq	Hydraulic drum braked
101058	1500kg	65mm sq	Electric & 9" mechanical drum braked
101059	1750kg	65mm sq	Non braked & 10" drum
101052	2200kg	65mm sq	Non braked hubs & disc braked
101068	3000kg	75mm sq	Non braked, disc & electric brake



Note: Hub equipment is to be ordered separately. Refer to pages 11 -15.

Trojan Gull-Wing Type

Part No:	Capacity:	Beam Size:	Hub Type:
101041	1000kg	65mm sq	Non braked & disc braked
101047	1750kg HD	65mm sq	Non braked & disc braked
101049	1750kg	65mm sq	Non braked & disc braked
101045	1500kg	65mm sq	Non braked & disc braked
101053	2200kg	65mm sq	Non braked & disc braked
101068	3000kg	75mm sq	Non braked, disc & electric braked



Note: When electric brakes are fitted to 3000kg duratorques the stopping capacity is 2200kg. Hub equipment is to be ordered separately. Refer to pages 11 -15.

Trojan Half Axle Type

Note: These half type are sold & priced per side. Each side has the same part number but it is followed by either LH or RH. Those shown as RETRO fit are a direct replacement for very early versions.

Part No:	Capacity:	Type:	Hub Type:
081010LH & RH	1000kg		Non braked & disc braked
081015LH & RH	1000kg	Retro Fit	Non braked & disc braked
081016LH & RH	1500kg	Retro Fit	Non braked & disc braked
081020LH & RH	1500kg		Non braked & disc braked
092055LH & RH	1500kg		Electric braked
092040LH & RH	2200kg		Non braked & disc braked
081023LH & RH	1750kg		10" electric braked & NZ disc 225mm rotors
092057LH & RH	1750kg		10" electric braked



Note: Hub equipment is to be ordered separately. Refer to pages 11 -15

Stub-Spares

Part No:	Capacity:	Type:	Hub Type:
996050	1750kg	Non braked disc	SL
996053	1750kg	Electric drum	SL
996055	1750kg	Hydraulic drum	SL
996023	1500kg	Electrical drum	LM
996025	1500kg	Hydraulic drum	LM

AXLES

Trojan manufactures a wide range of beam axles to suit most applications. These axles are for use with leaf spring suspensions and include straight beam, drop beam, overlay & gull wing types. Braked and non braked versions are available in all types.

All Trojan beam axles are manufactured using Rolled Hollow Section tube [RHS] and this offers many advantages over solid beam axles. They are as strong as solid beams, lighter in weight and can be galvanised at an economical price.

Depending on the capacity of the axle, the beams are either 50mm x 50mm x 5mm or 65mm x 65mm x 6mm RHS.

A range of common lengths and types are carried in stock and specials can be manufactured to order.

Hub equipment is to be ordered separately.

The following information is required when ordering beam axles.

WEIGHT CAPACITY.

This is the maximum all up weight of the trailer and its load.

LENGTH OF AXLE.

This is the measurement from the end to end of the stub axles.

SPRING MOUNTING CENTRES.

This is the measurement from the centre to centre of the springs.

HUB EQUIPMENT.

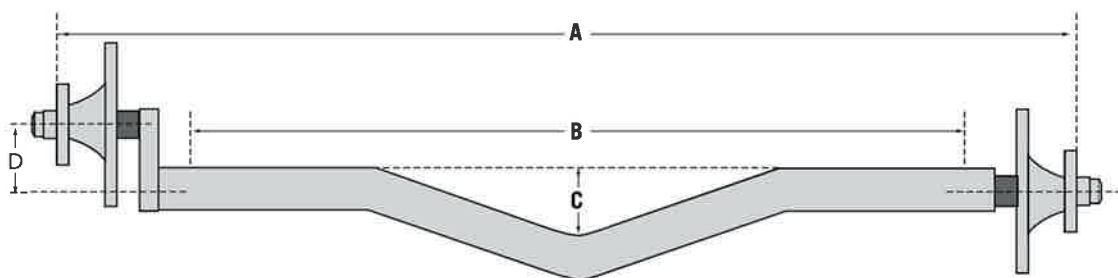
Are axles to be braked or non braked. If braked you will need to know what type, Disc Braked, mechanical or hydraulic, Drum braked, electric, hydraulic or mechanical. What is the stud pattern to be. What bearings, LM or SL.

GULL WING AXLES.

Measurements A, B & C required. C is the depth of the bend and can be 60mm, 90mm or 120mm.

DROP BEAM & OVERLAY AXLES

Measurements A & B required plus D for drop beam axles. This drop can be 60mm or 90mm.



NEW PARALLEL RANGE AVAILABLE - SEE NEW PRODUCT SECTION PG xiii

AXLES - STRAIGHT, BRAKED & NON BRAKED

LM - Holden 1500kg

SL - Ford 1750kg

Parallel - 1750kg



Trojan Straight Beam - Non braked

Part No	Length	Brgs	Finish	Part No	Length	Brgs	Finish
010900	65"	LM	Bare Metal	010800	65"	SL	Bare Metal
010902	67"	LM	Bare Metal	010802	67"	SL	Bare Metal
010912	77"	LM	Bare Metal	010812	77"	SL	Bare Metal
010922	87"	LM	Bare Metal	010814	79"	SL	Bare Metal
010934	94"	LM	Bare Metal	010822	87"	SL	Bare Metal
010936	96"	LM	Bare Metal	010826	89"	SL	Bare Metal
010100	Order	LM	Bare Metal	010834	94"	SL	Bare Metal
010102	Order	LM	Galvanised	010835	95"	SL	Bare Metal
				010836	96"	SL	Bare Metal
010108	Order	SL	Galvanised	} These two beams can be manufactured to any required length against firm order			
010810	Order	SL	Bare Metal				

Trojan Straight Beam - Braked, suit 260mm x 15mm Disc Rotors

Part No	Length	Brgs	Finish	Part No	Length	Brgs	Finish
020900	65"	SL	Bare Metal	021500	65"	SL	Galvanised
020902	67"	SL	Bare Metal	021502	67"	SL	Galvanised
020912	77"	SL	Bare Metal	021512	77"	SL	Galvanised
020922	87"	SL	Bare Metal	021522	87"	SL	Galvanised
020930	89"	SL	Bare Metal				
020934	94"	SL	Bare Metal	021534	94"	SL	Galvanised
020935	95"	SL	Bare Metal				
020936	96"	SL	Bare Metal				
020810	Order	SL	Bare Metal	} These axle beams can be manufactured to any required length against firm order			
021810	Order	SL	Galvanised				

Trojan Straight Beam - Braked, suit 225mm x 11mm Disc Rotors

Part No	Length	Brgs	Finish	Part No	Length	Brgs	Finish
020600	65"	LM	Bare Metal	020622	87"	LM	Bare Metal
020602	67"	LM	Bare Metal	020634	94"	LM	Bare Metal
020612	77"	LM	Bare Metal	020636	96"	LM	Bare Metal
020101	Order	LM	Galv	020100	Order	LM	Bare Metal

Trojan Straight Beam - Braked, suit 10" Elec & 9" Mech Drums

020400	65"	LM	Bare Metal	021400	65"	SL	Bare Metal
020402	67"	LM	Bare Metal	021402	67"	SL	Bare Metal
020412	77"	LM	Bare Metal	021412	77"	SL	Bare Metal
020422	87"	LM	Bare Metal	021414	79"	SL	Bare Metal
020435	95"	LM	Bare Metal	021422	87"	SL	Bare Metal
020434	94"	LM	Bare Metal	021434	94"	SL	Bare Metal
020436	96"	LM	Bare Metal	021435	95"	SL	Bare Metal
020452	Order	SL	Bare Metal	} These axle beams can be manufactured to any required length against firm order			
020097	Order	LM	Bare Metal				
020090	Order	SL	Galv				

NEW PARALLEL RANGE AVAILABLE - SEE NEW PRODUCT SECTION PG xiii

AXLES - STRAIGHT, BRAKED & NON BRAKED

LM - Holden 1500kg

SL - Ford 1750kg

Parallel - 1750kg



Trojan Straight Beam - Suit 9" Hyd Drums

Part No	Length	Brgs	Finish	Part No	Length	Brgs	Finish
020500	65"	LM	Bare Metal	020800	65"	SL	Bare Metal
020502	67"	LM	Bare Metal	020802	67"	SL	Bare Metal
020512	77"	LM	Bare Metal	020812	77"	SL	Bare Metal
020522	87"	LM	Bare Metal	020822	87"	SL	Bare Metal
020534	94"	LM	Bare Metal	020834	94"	SL	Bare Metal

020895 Order LM Bare Metal This axle beam can be manufactured to any required length against firm order.

Trojan Straight Beam - Suits 2000kg Disc & Non Braked Hubs Only

Part No	Length	Brgs	Finish	Part No	Length	Brgs	Finish
020700	65"	H/Duty	Bare Metal	020712	77"	H/Duty	Bare Metal
020702	67"	H/Duty	Bare Metal	020722	87"	H/Duty	Bare Metal

020112 Order H/Duty Bare Metal } These axle beams can be manufactured to
020113 Order H/Duty Galvanised } any required width against firm order

Trojan Straight Beam - Suit 3000kg Multi-Hubs

Part No	Length	Brgs	Finish	} These axle beams can be manufactured to any required width against firm order.
020127	Order	H/Duty	Bare Metal	
020129	Order	H/Duty	Galvanised	

AXLES - DROP BEAM & OVERLAY

LM - Holden 1500kg

SL - Ford 1750kg

Parallel - 1750kg



Trojan Drop Beam & Overlay - Suit Non-Braked Hubs

Part No	Length	Brgs	Finish	Type	} These axle beams can be manufactured to any required width against firm order
010849	Order	SL	Bare Metal	60mm Drop	
010850	Order	SL	Bare Metal	95mm Drop	
010880	Order	SL	Bare Metal	Overlay	

Trojan Drop Beam & Overlay - Suit 260mm x 15mm Disc Rotors

Part No	Length	Brgs	Finish	Type	} These axle beams can be manufactured to any required width against firm order
020106	Order	SL	Bare Metal	60mm Drop	
020109	Order	SL	Bare Metal	95mm Drop	
020110	Order	SL	Galvanised	95mm Drop	
020111	Order	SL	Galvanised	60mm Drop	
020980	Order	SL	Bare Metal	Overlay	
021980	Order	SL	Galv	Overlay	

Trojan Drop Beam & Overlay - Suit 225mm

Part No	Length	Brgs	Finish	Type	} These axle beams can be manufactured to any required width against firm order
020104	Order	LM	Bare Metal	Drop	
020105	Order	LM	Galvanised	Drop	

NEW PARALLEL RANGE AVAILABLE - SEE NEW PRODUCT SECTION PG xiii

AXLES - DROP BEAM & OVERLAY

LM - Holden 1500kg
SL - Ford 1750kg
Parallel - 1750kg



Trojan Drop Beam & Overlay - Suit 10" Elec & 9" Mech Drums

Part No	Length	Brgs	Finish	Type	} All these axles can be manufactured to any required length against firm order.
020372	Order	SL	Bare Metal	60mm Drop	
021634	Order	LM	Bare Metal	95mm Drop	
020099	Order	SL	Bare Metal	95mm Drop	
021480	Order	SL	Bare Metal	Overlay	

Trojan Drop Beam & Overlay - Suit 9" Hyd Drums

Part No	Length	Brgs	Finish	Type	This axle can be manufactured to any required length against firm order.
020880	Order	SL	Bare Metal	Overlay	

AXLES - GULLWING

LM - Holden 1500kg
SL - Ford 1750kg
Parallel - 1750kg



Trojan Gullwing - Suit 225mm x 11mm Disc Rotors

Part No	Length	Brgs	Finish	Part No	Length	Brgs	Finish
020650	65"	LM	Galv	020662	77"	LM	Galv
020652	67"	LM	Galv	020672	87"	LM	Galv
020103	Order	LM	Bare Metal				

Trojan Gullwing - Suit 260mm x 15mm Disc Rotors

Part No	Length	Brgs	Finish	Part No	Length	Brgs	Finish
021600	65"	SL	Galv	021622	87"	SL	Galv
021602	67"	SL	Galv	020098	94"	SL	Galv
021612	77"	SL	Galv	021680	Order	SL	Galv

Trojan Gullwing - Suit 10" Elec & 9" Mech Drums

Part No	Length	Brgs	Finish
020123	Order	SL	Galv

Trojan Gullwing - Suit 2000kg Multi-Hubs

Part No	Length	Brgs	Finish	This axle can be manufactured to any required length against firm order
020114	Order	H/Duty	Galv	

Trojan Gullwing - Suit 3000kg Multi-Hubs

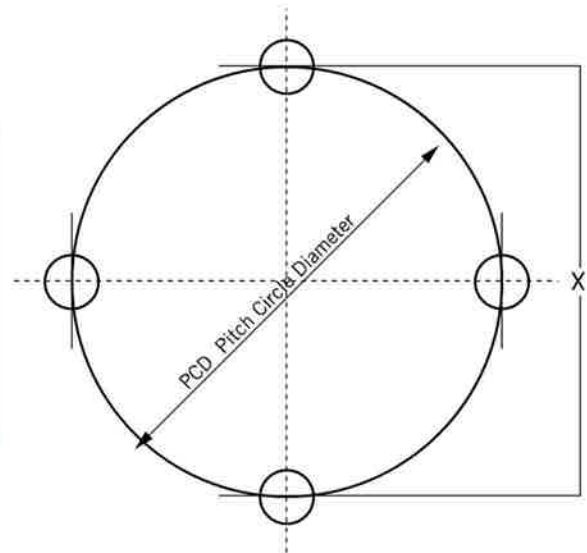
Part No	Length	Brgs	Finish	This axle can be manufactured to any required length against firm order
020131	Order	H/Duty	Galv	

METHOD OF CALCULATING

4 Stud PCD

To measure PCD on a 4-stud wheel: Measure from the centre of one stud to the opposite stud.
NB: Correct drill size for TROJAN stud (spline dia) is 1 7/32" or 13.75mm.

4-STUD PCD			
"X" In Inches:	"X" In MM:	PCD:	Common Wheels:
3.930"	100.000mm	100mm	BMW / Honda / Holden / Gemini
4.000"	101.600mm	4"	Mini
4.250"	108.000mm	4 1/4"	Escort / Cortina
4.330"	110.000mm	110mm	Daihatsu Charade / RX Series Mazda
4.500"	114.300mm	4 1/2"	Most Japanese / Triumph 2000 / Morris 1100 - 1300

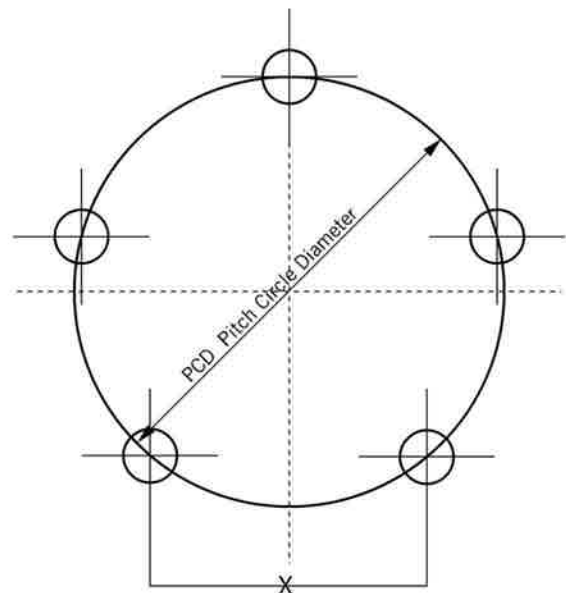


5 Stud PCD

To measure PCD on a 5-stud wheel: Measure from the centre of one stud to the centre of the next stud. Then calculate PCD using the chart below.

NB: Correct drill size for TROJAN stud (spline dia) is 1 7/32" or 13.75mm.

5-STUD PCD			
"X" In Inches:	"X" In MM:	PCD:	Common Wheels:
2.351"	59.715mm	4"	AP5, AP6 Valliant
2.498"	63.449mm	4 1/4"	Pre-HQ Holden & Torana
2.645"	67.183mm	4 1/2"	Zephyr / VJ Valliant / Falcon
2.792"	70.916mm	4 3/4"	HQ Holden / XJ6 Jaguar
2.939"	74.650mm	5"	58PA Vauxhall / Delta
3.233"	82.118mm	5 1/2"	Bronco
3.527"	89.586mm	6"	
3.820"	94.028mm	6 1/2"	Landrover
2.314"	58.779mm	100mm	Camry
2.499"	63.481mm	108mm	
2.591"	65.832mm	112mm	Mercedes
2.777"	70.535mm	120mm	BMW / 6&8 Cyl Commodore
3.008"	76.413mm	130mm	
3.240"	82.290mm	140mm	
3.703"	94.046mm	160mm	Ford Transit



The P.C.D or Pitch Circle Diameter is the simplest way to match a hub when looking for replacements. See below for tips on how to achieve this.

NEW PARALLEL RANGE AVAILABLE - SEE NEW PRODUCT SECTION PG xiii

HUB KITS - NON BRAKED

LM = 1500kg Pair
 SL = 1750kg Pair
 Parallel = 1750kg Pair

Trojan non braked hubs are manufactured from SG cast iron and are galvanised for protection against corrosion. Each hub kit contains one studded hub, bearings, grease seal, grease cap & slotted nut with split pin.

Hub Kits - Non Braked

Part No.	Studding	Brg	Hub Dia	
080008	4 x 100 x 7/16	LM	155mm	BMW / Honda / Gemini
080010	4 x 4 x 7/16	LM	140mm	Mini
080012	4 x 4 x 7/16	LM	160mm	Mini
080020	4 x 4 1/2 x 7/16	LM	155mm	Triumph / Morris
080025	5 x 4 1/4 x 7/16	LM	155mm	HT
080026	5 x 4 1/4 x 7/16	SL	155mm	HT
080035	5 x 4 1/2 x 1/2	LM	155mm	Falcon
080036	5 x 4 1/2 x 1/2	SL	155mm	Falcon
080040	5 x 4 3/4 x 7/16	LM	155mm	HQ
080041	5 x 4 3/4 x 7/16	SL	155mm	HQ
084455	6 x 5 1/2 x 1/2	LM	190mm	L/C
084458	6 x 5 1/2 x 1/2	SL	190mm	L/C



Stub Axles for above

Part No	Suit Brgs Dia	Length
995020	LM 39mm	220mm
995022	LM 34mm	220mm
995028	SL 39.5mm	270mm

Components & spares for above

Part No	Description	Brg	Seal Type
PT1160	Bearing & Seal Kit	LM	Single Lip x 1
PT1165	Bearing & Seal Kit	LM	Marine x 1
PT1170	Bearing & Seal Kit	SL	Single Lip x 1
PT1175	Bearing & Seal Kit	SL	Marine x 1
PT10131	Seal Kit	LM	Marine x 1
PT10135	Seal Kit	SL	Marine x 1
PT10137	Seal Kit	LM	Single Lip x 1
PT10139	Seal Kit	SL	Single Lip x 1
PT1008	Axle Nut Kit x 1		
PT1007	Grease Caps x 2		
PT1001	Wheel Nuts 7/16 x 5		
PT1002	Wheel Nuts 1/2 x 5		
PT10055	Wheel Studs & Nuts 7/16 x 5		
PT10065	Wheel Studs & Nuts 1/2 x 5		



NEW PARALLEL RANGE AVAILABLE - SEE NEW PRODUCT SECTION PG xiii

HUB KITS - NON BRAKED

Heavy Duty

Trojan non braked heavy duty hub kits feature hubs that have provision for fitting brake rotors at a later time. The stub axles are supplied with a caliper mount fitted.

Two models of these hubs are offered being 2000kg capacity per pair and 3000kg capacity per pair. Each hub kit includes one studded hub, bearings, seal, grease cap, axle nut & split pin.

Hub Kits - Non Braked, 2000kg capacity

Part No.	Studding	Wheel
083335	5 x 4 1/2 x 1/2	Falcon
083340	5 x 4 3/4 x 7/16	Commodore
083355	6 x 5 1/2 x 1/2	L/Cruiser

Stub Axles for above

Part No	Description
994297	Stub Axle With Caliper Bracket

Components & spares for above

Part No	Description
PT1129	Bearing Kit x 1
PT10141	Seal Kit x 1
PT1132	Grease Cap x 2
PT10081	Axle Nut Kit x 1
PT1001	7/16 Wheel Nuts x 5
PT1002	1/2 Wheel Nuts x 5
PT10055	7/16 Wheel Studs & Nuts x 5
PT10065	Wheel Studs & Nuts 1/2 x 5



Hub Kits - Non Braked, 3000kg capacity

Part No.	Studding	Wheel
084555	6 x 5 1/2 x 1/2	L/Cruiser x 1

Stub Axles for above

Part No	Description
699237	Stub Axles fitted with Caliper Mount

Components & spares for above

Part No	Description
688243	Bearing Kit x 1
699241	Seal Kit x 1
699243	Grease Cap x 1
699247	Axle Nut Kit x 1
699249	Axle Washer x 1
699251	Axle Lock Washer x 1
994000	1/2" Wheel Nuts x 1
699253	1/2" Wheel Studs x 1



NEW PARALLEL RANGE AVAILABLE - SEE NEW PRODUCT SECTION PG xiii

HUB KITS - DISC BRAKED 225mm

LM = 1500kg Pair
 SL = 1750kg Pair
 Parallel = 1750kg Pair

Trojan offer a range of disc braked hub kits to suit most applications. These include integral hub & rotor types and bolt on rotor versions giving a choice of cast iron or stainless steel rotors. The 3000kg version has vented rotors, also available in cast iron or stainless steel. All Trojan Disc Hubs are either galvanised or electro zinc plated for protection. Each hub kit contains one studded hub, bearings, grease seal, grease cap & slotted nut with split pin.

Hub Kits - Disc Braked

Integral Hub & Rotor

225mm diameter x 11mm thick

Part No.	Studding	Brg	Stub Axle
035325	5 x 4 1/4 x 7/16	LM	993484
035335	5 x 4 1/2 x 1/2	LM	993484
035336	5 x 4 1/2 x 1/2	SL	993488
035340	5 x 120 x 7/16	LM	993484
035355	6 x 5 1/2 x 1/2	LM	993484

Bolt on Stainless Steel Rotor

225mm diameter x 11mm thick

Part No.	Studding	Brg	Stub Axle
036535	5 x 4 1/2 x 1/2	LM	993484
036536	5 x 4 1/2 x 1/2	SL	993488
036540	5 x 120 x 7/16	LM	993484
036525	5 x 4 1/4 x 7/16	LM	993484

Brake Calipers to suit above

Part No	Operation	Type	Suit Rotor
PT10098	Hydraulic	Plated	225mm x 11mm
PT10298	Hydraulic	S/Steel	225mm x 11mm
PT10300	Hyd/Mech RH	S/Steel	225mm x 11mm
PT10301	Hyd/Mech LH	S/Steel	225mm x 11mm

Components & spares for above

Part No	Description	Part No	Description
PT1165	Bearing & Marine Seal Kit. LM x 1	PT10055	Wheel Studs & Nuts 7/16" x 5
PT1175	Bearing & Marine Seal Kit SL x 1	PT10065	Wheel Studs & Nuts 1/2" x 5
PT1160	Bearing & Standard Seal Kit LM x 1	PT1001	Wheel Nuts 7/16" x 5
PT1170	Bearing & Standard Seal Kit SL x 1	PT1002	Wheel Nuts 1/2" x 5
PT10131	Marine Grease Seal LM x 1	PT10202	Brake Pads-Hyd x 4
PT10135	Marine Grease Seal SL x 1	PT10203	Brake Pads-Hyd S/S x 4
PT10137	Standard Grease Seal LM x 1	PT3210	Cast Iron Rotor x 1
PT10139	Standard Grease Seal SL x 1	PT3211	S/Steel Rotor x 1
PT1007	Grease Caps-All x 2		
PT1008	Axle Nut Kit x 1		



NEW PARALLEL RANGE AVAILABLE - SEE NEW PRODUCT SECTION PG xiii

HUB KITS - DISC BRAKED

Heavy Duty

Hub Kits - Disc Braked, 2000kg capacity

Bolt on Cast Iron Rotor

Part No	Rotor	Studding
038435	275mm	5 x 4 1/2 x 1/2
038440	275mm	5 x 4 3/4 x 7/16
038455	275mm	6 x 5 1/2 x 1/2

Bolt on Stainless Steel Rotor

Part No	Rotor	Studding
038535	275mm	5 x 4 1/2 x 1/2
038540	275mm	5 x 4 3/4 x 7/16
038555	275mm	6 x 5 1/2 x 1/2

Stub Axles to suit above

Part No	Description
994297	Stub Axle with Caliper mount

Brake Calipers to suit above

Part No	Operation	Type	Suit Rotor
PT10098	Hydraulic	Plated	275mm x 11mm
PT10298	Hydraulic	S/Steel	275mm x 11mm
993470	Mechanical Fwd Pull	Plated	275 x 11mm
993471	Mechanical Centre Pull	Plated	275 x 11mm

Components & spares for above

Part No	Description	Part No	Description
PT1129	Bearing Kit x 1	PT1001	Wheel Nuts 7/16" x 5
PT10141	Grease Seal x 1	PT1002	Wheel Nuts 1/2" x 5
PT1132	Grease Cap x 1	PT10055	Wheel Studs & Nuts 7/16" x 5
PT3212	Cast Iron Rotor x 1	PT10065	Wheel Studs & Nuts 1/2" x 5
PT3213	Stainless Steel Rotor x 1	PT10081	Axle Nut Kit x 1
PT10202	Brake Pads x 4	PT10203	Brake Pads-S/Steel x 4



Hub Kits - Disc Braked, 3000kg capacity

Hub and Bearing Kit

Part No	Studding	Wheel
084555	6 x 5 1/2 x 1/2	L/Cruiser x 1

Rotors & Calipers (Kodiak) Kits

Kit includes Caliper and all components.

Part No	Rotor Dia	Rotor	Callper
PT1361	310mm	C/iron	C/iron x 1
PT1363	310mm	C/iron	S/Steel x 1
PT1365	310mm	S/Steel	S/Steel x 1

Stub Axles to suit above

Part No	Description
699237	Stub Axle With Caliper Mount x 1

Components & spares for above

Part No	Description	Part No	Description
688243	Bearing Kit x 1	994000	1/2" Wheel Nut x 1.
699241	Seal Kit x 1	699253	1/2" Wheel Stud x 1
699247	Axle Nut x 1	699243	Grease Cap x 1
699249	Axle Washer x 1	699251	Axle lock washer x 1
699240	Brake Pads x 4		



NEW PARALLEL RANGE AVAILABLE - SEE NEW PRODUCT SECTION PG xiii

HUB KITS - DISC BRAKED 255mm

LM = 1500kg
 SL = 1750kg
 Parallel = 1750kg

Trojan top hat rotor is fully galvanized and is available with three common wheel drillings. The rotor diameter is 255mm and thickness is 15mm. Hub kits include hubs, bearings, seals, axle nut & washer, and split pins.

Hub Kits - Disc Braked with Integral Rotor

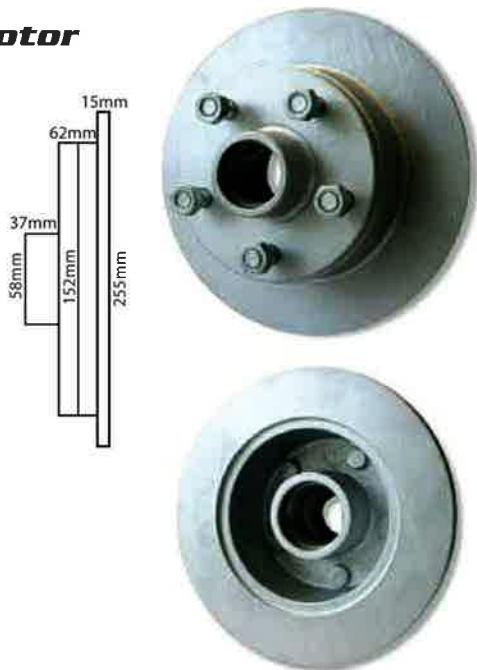
Hub Kits

Part No.	Studding	Brg
039525	5 x 4 1/4 x 7/16	SL
039535	5 x 4 1/2 x 1/2	SL
039540	5 x 120 x 7/16	SL

Hub Only

No cups fitted.

Part No.	Studding	Wheel
700125	5 x 4 1/4 x 7/16	HT Holden
700135	5 x 4 1/2 x 1/2	Falcon
700140	5 x 120 x 7/16	Commodore / HQ



Stub Axles to suit above

Part No	Bearings	Dia	Length
995028	SL	39mm	270mm Less Caliper mount
993489	SL	39mm	270mm With Caliper Mount
995020	LM	38mm	250mm Less Caliper Mount
995022	LM	34mm	220mm Less Caliper Mount

Bearings & Seals for above

Part No	Operation	Type	Suit Rotor
PT1170	Bearing & Seal Kit	SL	Single Lip
PT1175	Bearing & Seal Kit	SL	Marine
PT1160	Bearing & Seal Kit	LM	Single Lip
PT1165	Bearing & Seal Kit	LM	Marine

Caliper Axle Mounting Bracket

Part No	Callper	Bracket Type
593400	All	50mm Square. Threaded Holes
593322	All	50mm Square. Non Threaded Holes

Brake Calipers to suit above

Part No	Operation	Material	Suits
993469	Mechanical Fwd Pull	Galv	suit 15mm rotors
993481	Hydraulic	Dacromet	suit 15mm rotors
993483	Hydraulic	S/Steel	suit 15mm rotors



NEW PARALLEL RANGE AVAILABLE - SEE NEW PRODUCT SECTION PG xiii

HUB KITS - ELECTRIC BRAKED

Trojan offer two sizes of Electric Drum Brakes being 10" and 12" drum diameters. The 10" version is available with either LM, SL or Parallel bearings and a number of common wheel drillings. The 12" version is only available drilled to 6 stud. These brakes are suitable for a wide range of applications but are not recommended for boat trailers. All versions have a mechanical park brake fitted.

Each Hub Kit contains one brake drum, backing plate, bearings, grease seal, grease cap & axle nut & washer. The Kits are handed left & right which is determined by the backing plates.

Hub Kits - 10" Drums

Part No.	Studding		Bearings
096225RH & LH	5 x 4 1/4 x 7/16	HT	LM
096235RH & LH	5 x 4 1/2 x 1/2	Falcon	LM
096240RH & LH	5 x 4 3/4 x 7/16	HQ	LM
096255RH & LH	6 x 5 1/2 x 1/2	L/C	LM
096425RH & LH	5 x 4 1/4 x 7/16	HT	SL
096435RH & LH	5 x 4 1/2 x 1/2	Falcon	SL
096440RH & LH	5 x 4 3/4 x 7/16	HQ	SL
096455RH & LH	6 x 5 1/2 x 1/2	L/C	SL

Stub Axles to suit above

Part No	Description	Bearings
993465	Fitted With Mounting Flange	LM
993485	Fitted With Mounting Flange	SL



Components & Spares for 10" Diameter Drums

Part No	Description	Part No	Description
795525	Drum 5 x 4 1/4 x 7/16 x 1	PT1007	Grease Caps x 2
795535	Drum 5 x 4 1/2 x 1/2 x 1	993463	Mounting Flange 38mm x 1
795555	Drum 6 x 5 1/2 x 1/2 x 1	993466	Mounting Flange 45mm x 1
795540	Drum 5 x 4 3/4 x 7/16 x 1	PT10055	Wheel Studs & Nuts 7/16" x 5
PT5010	Brake Shoes x 1pr	PT10065	Wheel Studs & Nuts 1/2" x 5
PT5002	Magnet. Oval Type x 1	PT1002	Wheel Nuts 1/2" x 5
PT1160	Bearing & Seal Kit -LM x 1	PT1001	Wheel Nuts 7/16 x 5
PT1170	Bearing & Seal Kit - SL x 1	593677	Backing Plate LH x 1
PT10137	Grease Seal - LM x 1	593678	Backing Plate RH x 1
PT10139	Grease Seal - SL x 1		

Hub Kits - 12" Drums

Part No.	Studding
096555RH & LH	6 X 5 1/2 X 1/2

Stub Axles to suit above

Part No	Description
699237	Fitted with Mounting Flange



Components & Spares for 12" Diameter Drums

Part No	Description	Part No	Description
593681	Backing Plate LH x 1	994000	Wheel Nut 1/2" x 1
593682	Backing Plate RH x 1	699253	Wheel Stud 1/2" x 1
PT5012	Brake Shoes x 1pr	699251	Axle Nut Lock Tab x 1
PT5002	Magnet - Oval x 1	699249	Axle Washer x 1
688243	Bearing Kit x 1	699247	Axle Nut x 1
688121	Grease Seal x 1	801755	Grease Cap x 1

HUB KITS - HYD & MECH DRUM BRAKED

Trojan Hydraulic & Mechanical Drum Brakes are suitable for a wide range of light trailer applications and are available with either LM or SL bearings. A mechanical park brake is not included.

Hub Kits - Hydraulic & Mechanical Drum Braked

Hub Kits - Hydraulic Drum Braked

Part No.	Studding	Bearings
095205RH & LH	Blank	LM
095225RH & LH	5 x 4 1/4 x 7/16	LM
095235RH & LH	5 x 4 1/2 x 1/2	LM
095240RH & LH	5 X 4 3/4 X 7/16	LM
095255RH & LH	6 x 5 1/2 x 1/2	LM
095425RH & LH	5 x 4 1/4 x 7/16	SL
095435RH & LH	5 x 4 1/2 x 1/2	SL
095440RH & LH	5 x 4 3/4 x 7/16	SL
095455RH & LH	6 x 5 1/2 x 1/2	SL



Stub Axles to suit above

Part No	Description
593664	Stub with mounting flange
593668	Mounting Flange-Round Hole 39mm
593669	Mounting Flange-Square Hole 45mm

Bearings
LM



Hub Kits - Mechanical Drum Braked

Part No.	Studding	Bearings
094225LH & RH	5 x 4 1/4 x 7/16	LM
094235LH & RH	5 X 4 1/2 X 1/2	LM
094240LH & RH	5 X 4 3/4 X 7/16	LM
094255LH & RH	6 X 5 1/2 X 1/2	LM
094325LH & RH	5 X 4 1/4 X 7/16	SL
094335LH & RH	5 X 4 1/2 X 1/2	SL
094340LH & RH	5 X 4 3/4 X 7/16	SL
094355LH & RH	6 X 5 1/2 X 1/2	SL



Stub Axles to suit above

Part No	Description	Bearings
593664	Stub Axle With Bracket	LM
593668	Mounting Plate	Round 39mm
593669	Mouting Plate	SQ 45mm



Components & Spares for 9" Hydraulic & Mechanical Drums

Part No	Description	Part No	Description
795425	Drum 5 x 4 1/4 x 7/16 Less Cups	PT1153	Bearing & Seal Kit LM x 1
795435	Drum 5 x 4 1/2 x 1/2 Less Cups	PT1155	Bearing & Seal Kit SL x 1
795440	Drum 5 x 4 3/4 x 7/16 Less Cups	PT10137	Grease Seal LM x 1
795555	Drum 6 x 5 1/2 x 1/2 Less Cups	PT10139	Grease Seal SL x 1
593700	Mech Back Plate Assy RH	PT1001	Wheel Nuts 7/16 x 5
593701	Mech Back Plate Assy LH	PT1002	Wheel Nuts 1/2" x 5
593662	Hyd Back Plate Assy LH	PT10055	Wheel Studs & Nuts 7/16" x 5
593663	Hyd Back Plate Assy RH	PT10065	Wheel Studs & Nuts 1/2" x 5
PT5008	Brake Shoes - All x1pr	PT1007	Grease Caps-All x 2
PT1045	Wheel Cylinder Hyd x 1	994047	Grease Caps MK2 45mm
501736	Split pin 32mm		
994024	Axle Nut		

BEARING & SEAL KITS

Trojan Bearing kits

Part No:	Suits:	Application:	Description:
PT1165	LM	Marine	Inc one each - LM11949 cone, LM11910 cup, LM67048 cone, LM67010 cup, PT10132 seal.
PT1160	LM	Standard	Inc one each - LM11949 cone, LM11910 cup, LM67048 cone, LM67010 cup, PT10137 seal.
PT1175	SL	Marine	Inc one each - LM12749 cone, LM12710 cup, L68149 cone & L68110 cup & PT10135 seal.
PT1170	SL	Standard	Inc one each - LM12749 cone, LM12710 cup, L68149 cone & L68110 cup & PT10139 seal.



Trojan Grease Seal kits

Part No:	Suits:	Application:
PT10137	LM	Standard
PT10132	LM	Marine
PT10139	SL	Standard
PT10135	SL	Marine



STUDS & NUTS

Trojan Wheel Nuts

Trojan wheel nuts have 'tapered seats' and suit all common wheels.

Part No:	Unit:	Thread:	Hex AF:	Taper:
PT1001	Pkt/5	7/16"	3/4"	60°
PT1002	Pkt/5	1/2"	13/16"	60°



Trojan Wheel Studs & Nuts

Trojan wheel studs are the 'splined' type and are 'press fit' into holes drilled in the hubs. Early model studs had a smaller diameter spline than the current versions but are now unavailable. To fit the current studs, the holes in the hubs will need to be re-drilled to 13.75mm or 1 7/32". Trojan wheel nuts have 'tapered seats' and suit all common wheels.

Part No:	Unit:	Thread:	Hex AF:	Taper:	Length:	Drill Dia:
PT10055	Pkt/5	7/16"	3/4"	60°	40mm	13.75mm
PT10065	Pkt/5	1/2"	13/16"	60°	43mm	13.75mm



Trojan Acorn Nuts

To be used with Trojan Alloy rims.

Part No:	Unit:	Thread:	Hex AF:	Taper:	Finish:
PT1004	Pkt/5	7/16"	13/16"	60°	Chrome
PT1024	Pkt/5	1/2"	13/16"	60°	Chrome



DISC BRAKE CALIPERS

Trojan offer a range of disc brake calipers to suit most applications. These include types to operate both mechanical and hydraulic brakes. All Trojan hydraulic calipers are fitted with Phenolic Pistons and all fittings are either stainless or brass. A Stainless Steel Caliper is available fitted with an integral mechanical park brake and all Stainless Calipers are supplied with brake pads that have a Stainless Steel backing plate. All calipers are sold per each.

Mechanical Calipers

Part No.	Operation	Rotor Required	Finish
993469	Forward Pull	260mm Dia x 15mm Thick.	Galvanised
993470	Forward Pull	225mm Dia x 11mm Thick	Zinc Plated
993471	Centre Pull	225mm Dia x 11mm Thick	Zinc Plated
993472 (LH)	Forward Pull	Handbrake to suit Hyd 260x15mm	S/Steel
993474 (RH)	Forward Pull	Handbrake to suit Hyd 260x15mm	S/Steel



Hydraulic Calipers

Part No.	Operation	Rotor Required	Finish
PT10098	Hydraulic	225mm Dia x 11mm Thick	Zinc Plated
PT10298	Hydraulic	225mm Dia x 11mm Thick	S/Steel
993481	Hydraulic	260mm Dia x 15mm Thick	Dacromet
993483	Hydraulic	260mm Dia x 15mm Thick	S/Steel



Note. 993481 & 993483 calipers are a direct replacement for AU mechanical calipers and can also be converted, using part number 992268A anchor, to suit 15mm cast and s/s Trojan MK3,4,5,6,calipers.

Caliper Axle Mounting Brackets

Note. Mech caliper 993469 is supplied with mount.

Part No	Caliper	Rotor Size	Bracket Type
593302	All	225mm x 11mm	38mm Rnd Axle
593400	All	260mm x 15mm	50mm Sq. Threaded Holes
593322	All	260mm x 15mm	50mm Sq. Non threaded type used when galvanised



Brake Pads for Disc Brake Calipers

* Denotes Stainless Steel Backing Plates.

Part No	Description
PT11202	Fits Mech Caliper 993469 x 2pr
PT11203*	Fits Mech Caliper 993469 x 2 pr
PT10202	Fits All Trojan Hyd Calipers x 2 pr
PT10203*	Fits All Trojan Hyd Calipers x 2 pr
699240	Fits 3000kg Calipers x 2 pr



Spares For Trojan Disc Brake Calipers

Part No	Description	Caliper Type
PT1019	Rubber Components Kit.	Std Hyd x 1
PT10191	Rubber Components Kit	Hyd/Mech x 1
PT1076	Major Service Kit [inc piston]	All Hyd x 1
PT1125	Piston Only	All Hyd x 1
PT1091	Bleed Screw 3/8" UNF	All Hyd x 1
PT1079	Guide Pin Bushes	All Hyd x 2
PT1075	Guide Pin Boots	All Hyd x 2
PT1121	Guide Pins	Mech x 1
PT1078	Guide Pins	Hyd x 2



BRAKE HOSES

Trojan offer a range of kits used for piping Hydraulic braking systems. These are available for both 'single axle' & 'tandem axle' applications. Stainless steel braided hoses with stainless fittings are also available. Complies with SAE J1401. NB: All hoses & fittings are available in bulk.

Trojan Brake Hose & Fitting kits for Hydraulic Brakes

Trojan Brake Hose & Fitting kits include all necessary hoses and fittings required for plumbing of brakes.

Part No:	Hose Type:	Application:
PT1021	Standard rubber	Single axle disc brakes.
PT10211	Stainless braided	Single axle disc brakes.
PT102111	Stainless braided	Single axle with banjo fitting.
PT1042	Standard rubber	Single axle drum brakes. Spring suspension.
PT1044	Standard rubber	Single axle banjo hose kit.
PT1022	Standard rubber	Tandem axle disc brakes.
PT10221	Stainless braided	Tandem axle disc brakes.
PT102211	Stainless braided	Tandem axle banjo hose kit.
PT1049	Standard rubber	Tandem axle banjo hose kit.
PT10451	Stainless braided	Tilt boom hose. 3/8" male flare both ends
PT10222	Stainless braided	Tandem for 3000kg discs



PT1021

Trojan Brake Hoses - Replacements

Part No:	Hose Type:	Application:
PT1037	Standard rubber	3/8" UNF male fittings
PT10371	Stainless braided	3/8" UNF male fittings
PT10372	Standard rubber	3/8" male to 3/8" female fittings
PT1046	Stainless braided	Fitted with 3/8" banjo & 3/8" male flare
PT10461	Standard rubber	Fitted with 3/8" banjo & 3/8" male flare



PT10372

Brake Tubing

Part No:	Description:
8767MTR	Copper tubing 3/16" dia - 15mtr rolls
179804	Copper tubing 3/16" dia - 30mtr rolls
179085	Bundy tubing 3/16" dia - 12mtr rolls



8767MTR

Brake Tubing Saddles & Spare Parts

Part No:	Description
8732	Bridge Clip - saddles suit 3/16" tubing. Stainless steel. Each.
361105	Bridge clip - saddles suit 3/16" tubing. Stainless steel. Pkt/6.
8735	P clip - suits 3/16" tubing. UV resistant black Nylon. Pkt/100.
593659	Brass tee fitting 3/8" UNF
993065	Brass flare nut 3/8" UNF. Pkt/6.
502564	Half nut 3/8" UNF
PT1097	Adaptor kit 3/8" UNF - includes adaptor, flare unit & washer
502465	Copper washer
M702-3	Brass tee fitting 3/8" UNF - Drum Brakes Only
P4285	Tube nut 3/8" UNF - Drum Brakes
PT1100	Pipe joiner



8732



8735

ELECTRIC BRAKE CONTROLLERS

Hayman Reese Compact - Time Activated

- Only the compact control panel is visible
- Control unit is mounted out of sight
- Electric trailer brake control for 1-3 Axles
- Plug & Play feature allows for quick and easy connection with the Hayman Reese SmartClick™ brake control harness
- Unique “Sync” adjustment for towing different trailers
- Flexible and neat mounting options
- Green LED Indicator monitors a secure connection with your trailer
- 3 Year Limited Warranty
- Remote mount ensures no issues with hitting the brake control unit or damaging it, whilst moving in your vehicle
- Remote mount is less likely to interfere with any airbag deployment zones e.g. knee or lower leg
- A Sync control dial which provides more control and added safety when applied
- Sync features an output power control which doubles as a manual over-ride switch

Part No:
05550



Hayman Reese Sentinel™ - Time Activated

The Hayman Reese Sentinel™ Brake Controller is a great choice for light to medium duty towing needs. The time-actuated controls have solid state electronics, allowing the controller to be mounted in any position - horizontal, vertical, even turned upside down. When you step on the vehicle brakes, a predetermined amount of braking power is sent to the trailer. Major benefits of solid state brake controllers are their quick and easy installation, and ease of use. This unit also has the added feature of a digital display that shows the output of the unit.

- 1 to 4 axle trailers
- Digital output indicator
- Thumb wheel output adjustment
- “Up- front” manual over-ride control
- Overload indicator
- Mounting hardware included
- Smooth and simple installation
- 3 year limited warranty

Part No:
05350



Hayman Reese Guardian™ - Proportional

The Hayman Reese Guardian™ IQ Brake Controller is a self-levelling and totally proportional electric trailer brake control. Utilising the primary sensor technology from Vinotour™, the Guardian™ includes the “Boost” feature that gives users the ability to apply more initial trailer braking power. It works proportionally in reverse for backing into tough spots and includes a snap-in dash mounting clip and removable electrical connector that allows the unit to be quickly stored when not in use. You will appreciate the LED display depicting a secure electrical connection, amount of voltage delivery to the trailer brakes and diagnostic features.

- 1 to 3 axle Trailers
- Utilises “Plug-N-Play” port for plug adapters
- Self-diagnostics features will illuminate LED readout when issues occur
- Includes a “Boost” feature
- Works proportionally in reverse
- Snap-in dash mounting clip and hardware included
- Digital LED readout
- 3 Year limited warranty

Part No:
05900



ELECTRIC CONTROLLERS

Hayman Reese Vinotour - Proportional

The Hayman Reese Vinotour™ Electronic Proportional-based control offers a smooth braking response to any stop. Through the use of a sensing device, the brake control can determine the tow vehicle's rate of deceleration, and apply the correct amount of trailer braking to match. This not only increases are also quick to install.



- 1 to 4 axle Trailers
- Reverse battery protection for both vehicle and breakaway
- Designed to work with electronic over hydraulic brake systems
- Numerous mounting options - including 360 degree vertical rotation
- Digital display depicts voltage delivery to trailer during braking
- No level adjustment necessary - it adjusts itself to varying terrain as you drive
- Great for backing into tough spots! Works proportionally in reverse with
- The ability to disable when not needed
- Produces stops that are in proportion to vehicles deceleration rate
- "Boost" feature gives users the ability to apply more initial trailer braking
- power when towing heavier trailers
- Continual diagnostics check for proper connection, shorted magnet
- Conditions and much more
- Quick and easy disconnect feature allows user to remove and store the
- Control when not in use
- Electric trailer brake control for up to 4 braking axles
- Limited lifetime warranty

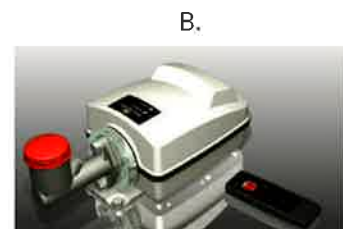
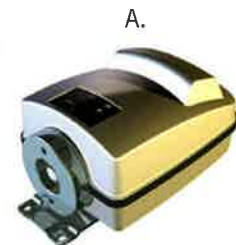
Part No:
05800

WIRELESS BRAKE CONTROLLERS

Brake Commander

"Intelligent trailer brake control for everyone". Brake Commander, one of the world's most efficient and intelligent trailer braking system. Mount it on your trailer or caravan with the master cylinder attached anywhere, any location, and the unit will do the rest. With smart Bluetooth and G-Force sensors the Brake Commander is miles ahead in smart trailer braking. Easy to use and best of all, any vehicle can tow a trailer with Brake Commander fitted.

	Part No:	Description:
A.	34955	Brake Commander - 3/4 Master Cylinder
B.	34956	Brake Commander - 7/8 Master Cylinder



Mounting Bracket for Hydrastar

This bracket bolts to the bow post on boat trailers allowing the mounting of the Hydrastar and the battery. As well as being a convenient position to mount these products it helps prevent them from being submerged.

Part No:
34919

Suits 34912



HYDRASTARS

Developed for use on all types of trailers fitted with hydraulic brakes, the Hydrastar gives smooth controlled braking under all conditions. The actuator, which mounts on the trailer, is activated via a controller which is mounted in the cab of the tow vehicle. Electric current is supplied through the controller to the activator which operates the brakes by way of a hydraulic pump. The controller allows adjustment of the braking effort to suit load and road conditions.

Carlisle Hydraulic Brake Activator, 12V - Unit, Breakaway Kit & Cab Controller

Hydrastar brake activator. Output pressure 1200psi. 12V. Activated by an electronic controller hard wired into tow vehicle making it suitable for use with disc brakes.

Part No:	Description:
34911	Complete kit, hydrastar, control unit, breakaway
34927	Kit less Cab Controller

Components

Part No:	Description:
34910	Hydrastar Brake Activator 1200psi unit only
34926	Breakaway Kit
52650	Electrical Cab Controller - Journey 12V
34916	Hydrastar Brake Activator 1600psi unit only



BRAKE OPERATING EQUIPMENT

Breakaway Kit - 12V

Applies trailer brakes if it becomes detached from tow vehicle. Built in LED display. Includes battery & box, battery charger & breakaway switch.

Part No:	Description:
20099	For use with 34910, 34911 & 34927
34965	For use with 34913 & 34912



Electric Breakaway Switch

Mounts onto trailer drawbar.

Part No:
C93640



MECHANICAL BRAKE OPERATING EQUIPMENT

Trojan Cable Guide & Adjuster

Part No:	Description:
R93949	Cable Guide, galvanised body with stainless screw and fittings.
R94788	Cable Adjuster, galvanised body with stainless screw and fittings.



Trojan Cable Kits

Includes wire, wire clamps, adjuster & guide where used.

Part No:	Description:
PT1047	Galvanised wire for forward pull calipers
PT10471	Stainless wire for forward pull calipers
PT1048	Galvanised wire for centre pull calipers
PT10481	Stainless wire for forward pull calipers
961000	Brake cable 4mmx9m loose
AG51	Wire rope clamo 5mm
8744	Thimble for wire rope



Trojan Park Brake Lever

Part No:	Description:
619100	Ratchet park brake lever



BATTERY

Camco Battery Boxes

Lightweight, heavy duty corrosion-resistant polypropylene boxes are designed to secure and protect your battery. Both sizes include lift off lid, durable woven hold down strap, foot clamps and stainless steel screws. Choose small for group size 24 batteries or large for group sizes 27, 30 and 31. Both boxes meet USCG CFR 183.420 and ABYC E-010-7 specifications.

Part No:	Description:
55362	Small (L28.8 x W19.9 x H25.1 cm)
55372	Large (L35.2 x W20 x H27.7 cm)



Made in USA

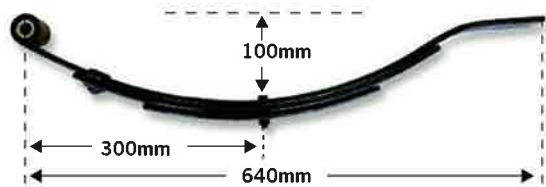
LEAF SPRINGS

Trojan offer a comprehensive range of Leaf Springs in varying types. These include Slipper, Multi-Leaf, Slipper Taper Leaf & Double Eye. Black finish or corrosion resistant dacromet finish.

Trojan Multi-Leaf Slipper - Short Series

Short series multi-leaf slipper springs - Black or dacromet finish.

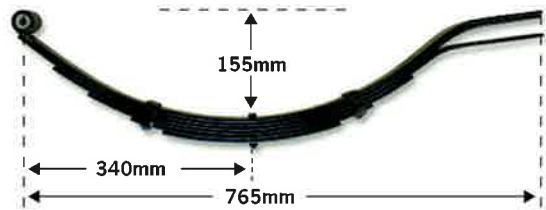
Part No:	Capacity per pair:	No. of leaves & size:	O/A Length / Eye to centre bolt:	Eye dia:
260062	500kg	2 - 45 x 6mm	640 - 300mm	16mm
260063	750kg	3 - 45 x 6mm	640 - 300mm	16mm
260064	1000kg	4 - 45 x 6mm	640 - 300mm	16mm
260070	1250kg	3 - 45 x 8mm	640 - 300mm	16mm
260073	1500kg	4 - 45 x 8mm	640 - 300mm	16mm
260075	2000kg	5 - 45 x 8mm	640 - 300mm	16mm



Trojan Multi-Leaf Slipper - Long Series

Long series multi-leaf slipper springs - Black or dacromet finish.

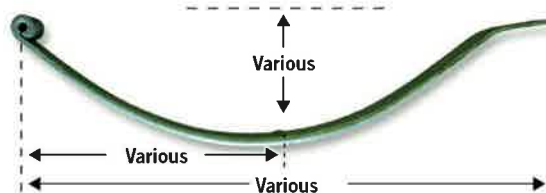
Part No:	Capacity per pair:	No. of leaves & size:	O/A Length / Eye to centre bolt:	Eye dia:
260003	650kg	3 - 45 x 6mm	765 - 340mm	1/2"
260004	750kg	4 - 45 x 6mm	765 - 340mm	1/2"
260005	1000kg	5 - 45 x 6mm	765 - 340mm	1/2"
260006	1250kg	6 - 45 x 6mm	765 - 340mm	1/2"
260007	1500kg	7 - 45 x 6mm	765 - 340mm	1/2"
260010	1900kg	5 - 45 x 8mm	765 - 340mm	1/2"



Taper Leaf Slipper Series

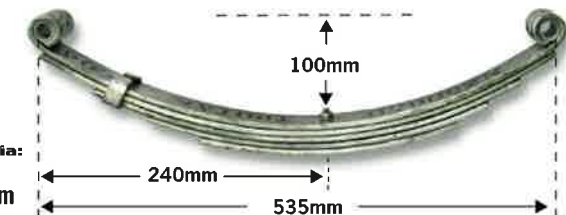
Taper leaf slipper series springs - Dacromet.

Part No:	Capacity per pair:	No. of leaves & size:	O/A Length / Eye to centre bolt:	Eye dia:
265006	600kg	1 - 45mm taper	765 - 350mm	1/2"
265010	1000kg	1 - 45mm taper	765 - 350mm	1/2"
265014	1400kg	1 - 45mm taper	765 - 370mm	1/2"



Double Eye Multi-Leaf Galvanised Spring

Part No:	Capacity per pair:	No. of leaves & size:	Eye to eye centre / eye to centre bolt:	Eye dia:
261056	1500kg	6 - 50mm x 6mm	535 - 240/280mm	16mm



Double Eye Multi-Leaf Springs Black or Dacromet Finish

Part No:	Capacity per pair:	No. of leaves & size:	Eye to eye centre / eye to centre bolt:	Eye dia:
260050	1250kg	5 - 50mm x 6mm	610 - 300/330mm	16mm
260060	1500kg	6 - 50mm x 6mm	610 - 300/330mm	16mm



LEAF SPRINGS KITS

Trojan Multi Leaf Spring Kits

These Trojan Springs are multi leaf type and feature an anti rattle leaf. They have a black painted finish. Kit includes 1 x pair Springs, Hangers, Bolts, Slippers, U-Bolts & Plates.

Part No:	Capacity per pair:	No. of leaves & size:	D/A Length / Eye to centre bolt:	Suit Axle beam size:
661003	650kg	3 - 45 x 6	765 - 340mm	40mm
662003	650kg	3 - 45 x 6	765 - 340mm	50mm
661005	1000kg	5 - 45 x 6	765 - 340mm	40mm
662005	1000kg	5 - 45 x 6	765 - 340mm	50mm
661006	1250kg	6 - 45 x 6	765 - 340mm	40mm
662006	1250kg	6 - 45 x 6	765 - 340mm	50mm
662007	1900kg	5 - 45 x 8	765 - 340mm	50mm



Trojan Taper Leaf Spring Kits

These Trojan Springs only have one leaf which is tapered from the centre to each end. Being galvanised they are ideal for fitment to boat trailers. Kit includes 1 x pair Springs, Hangers, Bolts, Slippers, U-Bolts & Plates.

Part No:	Capacity per pair:	No. of leaves & size:	D/A Length / Eye to centre bolt:	Suit Axle beam size:
267160	600kg	1 - 45mm taper	765 - 350mm	40mm
267060	600kg	1 - 45mm taper	765 - 350mm	50mm
267200	1000kg	1 - 45mm taper	765 - 350mm	40mm
267100	1000kg	1 - 45mm taper	765 - 350mm	50mm
267240	1400kg	1 - 45mm taper	765 - 370mm	40mm
267140	1400kg	1 - 45mm taper	765 - 370mm	50mm



Trojan Off-Road Spring

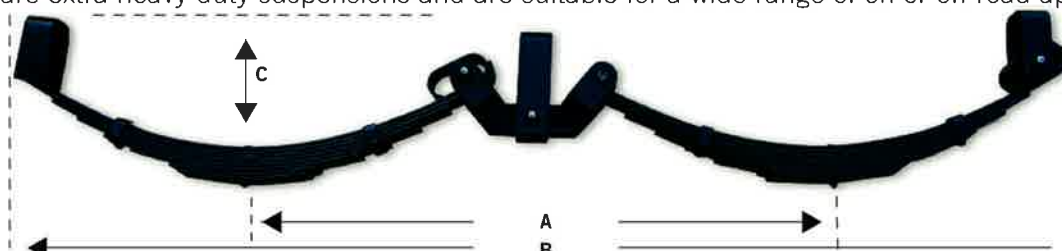
This suspension has been designed specifically for off highway use and offers extra long travel. It is supplied with heavy duty components including steel; grease-able bushes. A overload leaf is also fitted. Note: Hangers and slippers provided. U-Bolts & Plates are not included.

Part No:	Capacity per pair:	No. of leaves & size:	Spring Eye centres:	Height of arch:
268070	1000kg	7 - 60 x 7mm	860mm	175mm

LEAF SPRINGS TANDEM SUSPENSIONS

Trojan Roller Rocker Tandem

These are extra heavy duty suspensions and are suitable for a wide range of on or off road applications

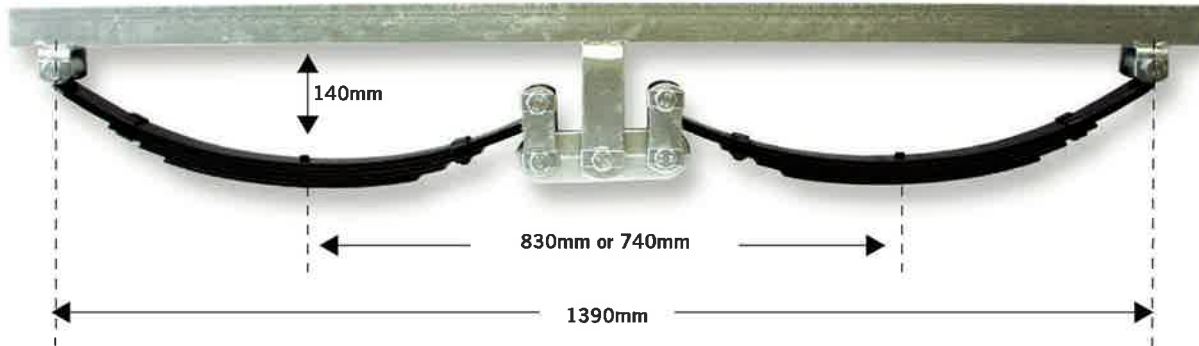


Part No:	Capacity:	Leaves:	A Lgth:	B Lgth:	C Hgt:	Wheel Dia :
284057	2500kg	6	830/900mm	1590mm	195mm	14"- 15"
284059	3000kg	7	900/970mm	1590mm	195mm	15"-16"
284061	4000kg	8	900/970mm	1590mm	195mm	15"-16"

LEAF SPRINGS TANDEM SUSPENSIONS

Trojan Double Eye Rocker Tandem

These suspensions are designed to be fitted to trailers where a superior ride is required. ie Horse Floats. Available as loose components, which can be welded direct to the trailer chassis, or supplied assembled and fitted to an angle iron frame. Note, the angle iron frame is not supplied in loose component form.



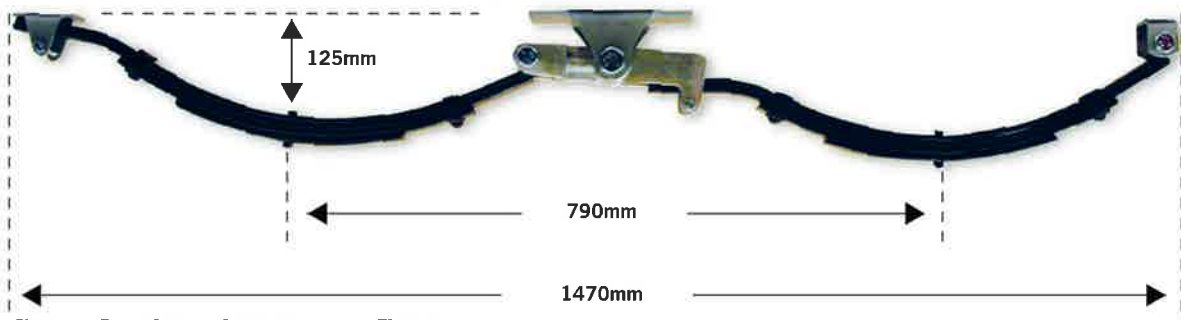
Part No:	Capacity:	Leaves:	Fitment:	Finish:
8715	2500kg	5 - 50x6mm	Unmounted	Bare Steel
8716	2500kg	5 - 50x6mm	Mounted & Assembled	Bare Steel
8717	3500kg	6 - 50x6mm	Unmounted	Bare Steel
8718	3500kg	6 - 50x6mm	Mounted & Assembled	Bare Steel

Spare Parts

Part No:	Description:	Part No:	Description:
8712	Spring eye & rocker bushes	8697	Centre hanger
8714GALV	Link plates	276010	Rocker Bar
812713	Spring Shackle bolt	274009	Lock tab kit
260050	5 Leaf Spring	812711	Rocker pivot bolt
260060	6 Leaf Spring		

Trojan Slipper Eye Type

This is a robust suspension and is suitable for commercial and off road applications. It can be made into a tri axle suspension where required. [P/N 284050]



Part No:	Capacity:	Leaves:	Fitment:
284038	2200kg	3 - 45x8mm	Direct to chassis
284040	3000kg	4 - 45x8mm	Direct to chassis
284045	3500kg	5 - 45x8mm	Direct to chassis
284050	3500kg	5 - 45x8mm	Direct to chassis suit Tri-Axle

Spare Parts

Part No:	Description:	Part No:	Description:
8719	Spring eye bush	812108	Spring Slipper
S213M	Rocker bush 20mm	812067	Spring Hanger
812770	Rocker bar, includes bushes	812720	Rocker Bolt Nut
812760	Centre hanger	260070	3 Leaf Spring
812600	Shackle bolt	260073	4 Leaf Spring
812605	Shackle bolt nut	260075	5 Leaf Spring
812715	Rocker bolt		

AXLE & SPRING FITTINGS

Trojan U-Bolts

All U-Bolts are complete with nuts & washers and are Galvanised except where noted B/M.

Part No - Prs Packaged:	Part No - Ea Loose:	Inside Width:	Inside Length:	Diameter:	Type:	Note:
271010	813965	43mm	110mm	10mm	Round	
441005	813968	43mm	110mm	10mm	Square	
271030	813960	51mm	110mm	12mm	Round	
271035	813970	51mm	120mm	12mm	Round	
271040	813990	43mm	100mm	12mm	Square	
271050	813985	51mm	85mm	12mm	Square	
271055	813100	51mm	100mm	12mm	Square	
271060	813110	51mm	110mm	12mm	Square	
271065	813120	51mm	120mm	12mm	Square	
271070	813130	51mm	130mm	12mm	Square	
N/A	814145	51mm	145mm	5/8"	Square	B/M High Tensile
271075	813145	68mm	145mm	12mm	Square	
N/A	813148	68mm	170mm	12mm	Square	
271080	813150	80mm	100mm	12mm	Square	
271090	813165	100mm	100mm	12mm	Square	



Trojan Fish Plates

Part No - Ea Loose:	Suits U Bolt size:	Suits spring width:	Finish:
992688	M12 x 68mm	45/50mm	Galv
992687	M12 x 68mm	45/50mm	Bare
812057	1/2" x 44mm	45/50mm	Bare
812055	5/8" x 51mm	45/50mm	Bare
272020	M12 X Universal	45/50mm	Galv
812052	M12 X Multi-Fit	45/50mm Packaged	Galv



Trojan Axle Pads

Part No - Prs Packaged:	Part No - Ea Loose:	Description:
274010	R8604	50mm x 50mm x 8mm. Bare metal. Pair.
274018G		50mm x 50mm x 8mm. Galvanised
N/A	812072	90mm x 50mm x 10mm. Bare metal.



Trojan Spring Hangers:

Part No - Prs Packaged:	Part No - Ea Loose:	Suit Spring width:	Suit Bolt diameter:	Finish:
274015	R8605	50mm	16mm	B/M
274018	3679	45mm	1/2"	B/M
274019	N/A	45mm	16mm	B/M
274018G		45mm	1/2"	Galv Pair.



Trojan Spring Slipper Saddles

Part No - Prs Packaged:	Part No - Ea Loose:	Description:
274022	812105	For Springs With Anti Rattle Leaf
N/A	812108PB	For Taper Leaf Springs
N/A	812765	For Slipper Tandems



AXLE & SPRING FITTINGS

Trojan Spring Shackle Bolts, Nuts & Lock Tab Sets

Part No - Pcs Packaged:	Part No Loose:	Description:
274025	812713	Bolt & nylock nut. 16mm dia x 90mm long
274028	812600	Bolt & nylock nut. 1/2" dia x 3" long
N/A	812605	Nylock nut. 1/2"
N/A	812711	Bolt 16mm Dia x 100mm Long
N/A	R8608A	Nylock nut. M16
N/A	812715	Bolt 20mm Dia x 120mm Long
N/A	812720	Nylock nut. M20
274009	N/A	Lock tab set. Suit double eye tandem
N/A	812416	Lock Tab-16mm Slipper Tandem
N/A	812420	Lock Tab-20mm Slipper Tandem



Trojan Spring Eye & Rocker Bushes

Part No Packaged:	Part No Loose:	Dimension:
273010	N/A	5/8" x 7/8" x 2"
273015	N/A	1/2" x 7/8" x 1 3/4"
N/A	S213M	20mm x 22mm x 45mm
Rocker Bush	812673	16mm x 36mm x 60mm
Rocker Bush	812675	16mm x 22mm x 60mm



Trojan Equaliser Bar & Centre Hangers - Tandems

Part No:	Description:	Suspension Type:
276010	Equaliser Bar	Double Eye Tandem
812768	Equaliser Bar	Slipper Tandem
8697	Centre Hanger	Double Eye Tandem
812760	Centre Hanger	Slipper Tandem



Trojan Link Plates - Double Eye Tandem

Part No-Ea Loose	Dimensions
8714Galv	16mm Holes -70mm C/C

Trojan Axle Drops

Part No:	Description:
592230	95mm Drop - Suits 50mm RHS - 39mm dia axle
592231	95mm Drop - Suits 65mm RHS - 50mm dia axle
592235	95mm Drop - Suits 50mm RHS - 50mm dia axle
592238	60mm Drop - Suits 50mm RHS - 50mm dia axle
592240	60mm Drop - Suits 50mm RHS - 39mm dia axle



WHEEL RIMS

Galvanised Trailer Wheels

Part No:	Dia:	Stud Pattern:	Width:	Inside Offset:	Rating:
533010	8"	4 x 4"	65mm	0	340kg
533020	10"	4 x 4"	4"	0	370kg
535003	12"	4 x 4"	4"	65mm	400kg
535006	13"	5 x 4 1/2"	5"	85mm	672kg
535011	13"	5 x 4 1/4"	5"	85mm	672kg
535036	14"	5 x 4 1/2"	5 1/2"	95mm	850kg
535041	14"	5 x 4 3/4"	6"	95mm	850kg
535055	15"	5 x 4 1/2"	6"	90mm	1181kg
535060	15"	6 x 5 1/2"	6"	90mm	1181kg
535065	16"	6 x 5 1/2"	6"	90mm	1454kg



Powder Coated Trailer Wheels

White Painted Wheel Rims with blue & red pin stripe.

Part No:	Dia:	Stud Pattern:	Width:	Inside Offset:	Rating:
535008	13"	5 x 4 1/2"	5"	85mm	672kg
535013	13"	5 x 4 1/4"	5"	85mm	672kg
535038	14"	5 x 4 1/2"	5 1/2"	95mm	850kg
535043	14"	5 x 4 3/4"	6"	95mm	850kg
535061	15"	6 x 5 1/2"	6"	90mm	1181kg
535066	16"	6 x 5 1/2"	6"	90mm	1454kg



Chrome Plated Trailer Wheels

Note: It is not recommended that Chrome plated wheels be fitted to boat trailers.

Part No:	Dia:	Stud Pattern:	Width:	Inside Offset:	Rating:
535009	13"	5 x 4 1/2"	5"	85mm	672kg
535039	14"	5 x 4 1/2"	5 1/2"	95mm	850kg



Alloy Trailer Wheels.

Alloy wheels have been powder coated silver for added protection against discoloration. Others are polished alloy. A chrome centre cap is included. Note: Always use acorn nuts with alloy wheels.

Part No:	Dia:	Stud Pattern:	Width:	Inside Offset:	Rating:	Finish:
537005	14"	5 x 4 1/2"	6"	90mm	681kg	Polished Alloy
537022	15"	5 x 4 1/2"	6"	90mm	727kg	Silver powdercoated
537025	15"	6 x 4 1/2"	6 1/2"	90mm	727kg	Silver powdercoated



WHEEL & TYRE ASSEMBLIES

Wheel & Tyre Assemblies

Part No	Dia	Studding	Tyre Size	Ply	Rating	Finish
522050	10"	4 x 4	145 x 10	6	350kg	Galv
522054	10"	4 x 4	500 x 10	6	425kg	Galv
522055	13"	5 x 4 1/2	155 x 13	8	600kg	Galv
523055	13"	5 x 4 1/2	155 x 13	8	600kg	White
522085	14"	5 x 4 1/2	185 x 14	8	840kg	Galv
523085	14"	5 x 4 1/2	185 x 14	8	840kg	White
522185	14"	5 x 4 1/2	185 x 14	8	840kg	Alloy
522095	15"	6 x 5 1/2	235/75 x 15	8	925kg	White Off Road Tread
522096	15"	5 x 4 1/2	225/70 x 15	8	1120kg	Galv
523096	15"	6 x 5 1/2	225/70 x 15	8	1120kg	White
522097	15"	6 x 5 1/2	225/70 x 15	8	1120kg	Galv
522099	16"	6 x 5 1/2	225/75 x 16	10	1250kg	Galv On Road Tread
523099	16"	6 x 5 1/2	225/75 x 16	10	1250kg	White On Road Tread



TYRES & TUBES

Tyres & Tubes

Part No	Size	Ply	Rating	Type
512010	480x8	6	335kg	Tubed
512012	570x8	6	415kg	T/L
512020	145x10	6	350kg	T/L
512025	500x10	6	425kg	T/L
512055	155/70Rx13	8	600kg	T/L
512085	185/80Rx14	8	840kg	T/L
512096	225/70Rx15	8	1120kg	T/L
512097	225/70Rx15	8	1120kg	Offroad
512098	225/75Rx16	10	1200kg	Offroad
512099	225/75Rx16	10	1250kg	T/L

ACCESSORIES

Acorn & Locking Wheel Nuts

Part No x 4	Part No-Ea	Description
PT10241	NA	Locking Nuts-Chrome-1/2"
PT10242	NA	Locking Nuts-Chrome-7/16"
PT1004	994030	Accorn Nuts-Chrome -7/16
PT1024	994031	Accorn Nuts-Chrome- 1/2"



Centre Caps

Part No	Size	Fitment
537010	83.5mm OD Dia	Alloy Wheels
537013	73.5mmOD Dia	Steel Wheels

MUDGUARDS

Mudguards - Folded with rolled edge, galvanised steel.

Sold in pairs

Part No:	Axle Type:	Wheel Size:	Length:	Width:	Height:
316053	Single	13 - 14"	740mm	220mm	360mm
316058	Tandem	13 - 14"	1500mm	220mm	360mm



Mudguards - Curved with rolled edge, galvanised steel.

Sold in pairs

Part No:	Axle Type:	Wheel Size:	Length:	Width:	Height:
316020	Single	10"	550mm	195mm	290mm
316062	Single	13 - 14"	740mm	230mm	405mm
316066	Tandem	13 - 14"	1500mm	235mm	405mm



Mudguards - Plastic, includes built in step

Sold in pairs

Part No:	Axle Type:	Wheel Size:	Length:	Width:	Height:	Color:
316005	Single	13"	940mm	230mm	300mm	Grey
316006	Single	13"	940mm	230mm	300mm	White
316016	Single	14"	1080mm	250mm	350mm	Grey
316017	Single	14"	1080mm	250mm	350mm	White



JOCKEY WHEELS - ECONOMY

These Trojan Jockey Wheels are a economy product. They are available with a 'quick release' clamp or a 'swivel bracket'. Brackets are multi-fit and swivel models are fitted with a 'double lock pin'. Finish is zinc plating.

Trojan Jockey Wheel - 135mm Solid Rubber Wheel (clamp style)

Fitted with a quick release Clamp type bracket allowing to position height adjustment and easy removal and fitment of the Jockey Wheel. Clamp bolts to drawbar. 135mm diameter solid rubber wheel which is fitted with a Nylon Bush. Rated at a capacity of 350kg. 220mm lift.

Part No (loose):

306150

Spare parts

Part No:	Description:
645663	Handle assembly.
629600	135mm solid rubber wheel.
629593	Quick release clamp assembly.



Trojan Jockey Wheel - 135mm Solid Rubber Wheel (swivel style)

Fitted with a multi fit swivel bracket which can either be bolted to drawbar or fitted using U Bolts. Swivel bracket allows Jockey Wheel to be stored parallel to drawbar. 135mm diameter solid rubber wheel which is fitted with a Nylon Bush. Spring loaded with double lock pin for safety. Rated at a capacity of 350kg. 220mm lift.

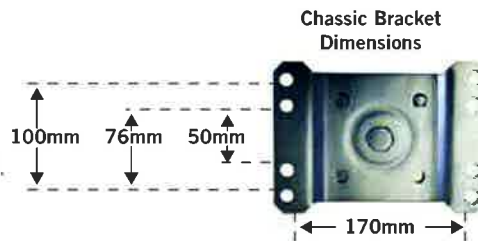
Part No (loose): **Part No (display box):**

306155

305155

Spare parts

Part No:	Description:
645663	Handle assembly.
629600	135mm solid rubber wheel.



U bolt fitting kits

Part No:	Description:
271050	U bolt kit for fitment to a 50mm high drawbar.
271080	U bolt kit for fitment to a 76mm high drawbar.
271090	U bolt kit for fitment to a 100mm high drawbar.

Trojan Jockey Wheel - 200 x 50 Solid Tyre

Fitted with a multi fit swivel bracket which can either be bolted to drawbar or fitted using U Bolts. Swivel bracket allows Jockey Wheel to be stored parallel to drawbar. Spring loaded with double lock pin for safety. Rated at a capacity of 350kg. 220mm lift.

Part No (loose): **Part No (display box):**

306160

305160

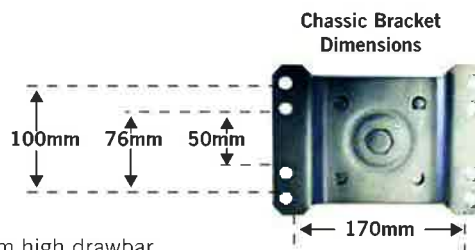
306170 **305170 (C/Clamp)**

Spare parts

Part No:	Description:
645663	Handle assembly.
644109	Wheel & Tyre

U bolt fitting kits

Part No:	Description:
271050	U bolt kit for fitment to a 50mm high drawbar.
271080	U bolt kit for fitment to a 76mm high drawbar.
271090	U bolt kit for fitment to a 100mm high drawbar.



SEE NEW PRODUCT SECTION PG 1

JOCKEY WHEELS - FULTON

“Stylish, practical, a marine leader”. Leaders in Jockey Wheels & Winches that combine innovative design, performance and style with quality and value, making Fulton the most popular choice for recreational and marine applications. Don't choose anything else when it comes to high quality long lasting marine products.

Fulton Jockey Wheel

	Part No:	Description:
A.	XP15-0101	Fulton Ring F2
B.	1413040134	F2 Wide Track
C.	1413240134	Park Leg - F2 Swivel Plate



Check out fultonperformance.com for full specifications

JOCKEY WHEELS - PREMIUM

These Trojan Jockey Wheels are a premium product and offer many features including a folding handle. All components are galvanised and the mounting brackets are heavy duty. The ‘Swivel Bracket’ allows the Jockey Wheel to be folded away when towing and a double lock pin is fitted for safety. The ‘Chassis Bracket’ supplied with these Jockey Wheels is multi-fit allowing them to be welded, bolted or u-bolted to the trailer draw bar.



Folding handle shown in both folded and operating position.

Trojan Jockey Wheel - 135mm Solid Rubber Wheel

Fitted with a multi fit swivel bracket which can either be bolted to drawbar or fitted using U Bolts (Weld on bracket also available). Swivel bracket allows Jockey Wheel to be stored parallel to drawbar. Folding handle prevents accidental damage or injury. All components are galvanised. 135mm solid rubber wheel. Double lock pin for safety. Rated at a capacity of 350kg. 250mm lift.

Part No:

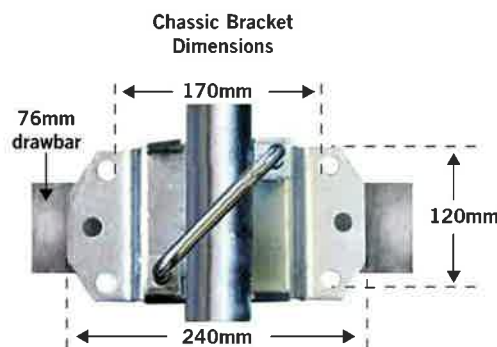
303105

Spare parts

Part No:	Description:
644102	Handle assembly.
629600	135mm Rubber Wheel.
303231	Weld on bracket - bare metal.

U bolt fitting kits

Part No:	Description:
271080	U bolt kit for fitment to a 76mm high drawbar.



JOCKEY WHEELS - PREMIUM

Trojan Jockey Wheel - 200 x 50mm Solid Wheel & Tyre

Fitted with a multi fit swivel bracket which can either be bolted to drawbar or fitted using U Bolts (Weld on bracket also available). Swivel bracket allows Jockey Wheel to be stored parallel to drawbar. Folding handle prevents accidental damage or injury. All components are galvanised. Galvanised steel wheel with a 200 x 50mm solid tyre and fitted with greasable roller bearings. Double lock pin for safety. Rated at a capacity of 350kg. 250mm lift.

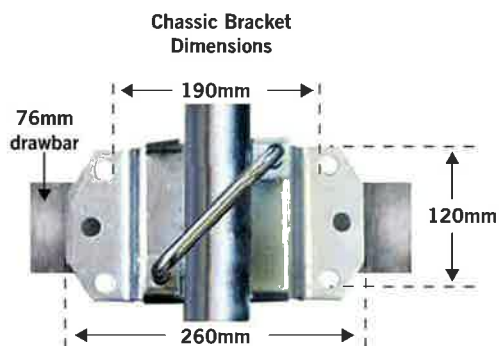
Part No (loose): 303107
Part No (display box): 305107

Spare parts

Part No: 644102 **Description:** Handle assembly.
 644109 200 x 50 Wheel & Tyre.
 303231 Weld on bracket - bare metal.

U bolt fitting kits

Part No: 271080 **Description:** U bolt kit for fitment to a 76mm high drawbar.



Trojan Jockey Wheel - 250mm x 50mm Heavy Duty Solid Wheel & Tyre

Fitted with a multi fit swivel bracket which can either be bolted to drawbar or fitted using U Bolts (Weld on bracket also available). Swivel bracket allows Jockey Wheel to be stored parallel to drawbar. Folding handle prevents accidental damage or injury. All components are galvanised. 250 x 50mm heavy duty solid wheel and tyre. Double lock pin for safety. Rated at a capacity of 500kg. 250mm lift.

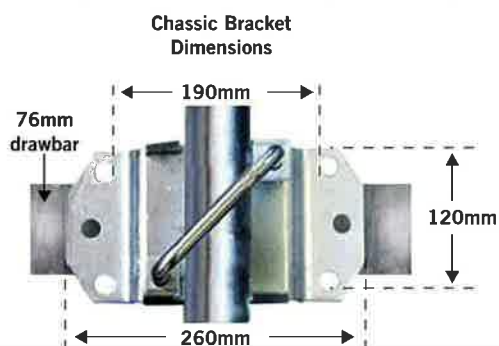
Part No: 303109

Spare parts

Part No: 644102 **Description:** Handle assembly.
 303231 Weld on bracket - bare metal.

U bolt fitting kits

Part No: 271080 **Description:** U bolt kit for fitment to a 76mm high drawbar.



Trojan Jockey Wheel - 260mm x 80mm Wheel Wide Track Solid Tyre

Fitted with a multi fit swivel bracket which can either be bolted to drawbar or fitted using U Bolts (Weld on bracket also available). Swivel bracket allows Jockey Wheel to be stored parallel to drawbar. Folding handle prevents accidental damage or injury. All components are galvanised. Double lock pin for safety. Rated at a capacity of 350kg. 250mm lift.

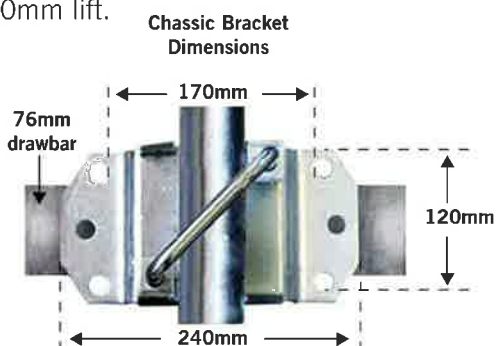
Part No: 303110

Spare parts

Part No: 644102 **Description:** Handle assembly.

U bolt fitting kits

Part No: 271080 **Description:** U bolt kit for fitment to a 76mm high drawbar.



JOCKEY WHEELS - PREMIUM

Trojan Jockey Wheel - 350 x 4 Pneumatic Tyre

Fitted with a multi fit swivel bracket which can either be bolted to drawbar or fitted using U Bolts (Weld on bracket also available). Swivel bracket allows Jockey Wheel to be stored parallel to drawbar. Folding handle prevents accidental damage or injury. All components are galvanised. Galvanised steel wheel with 350 x 4" Pneumatic Tyre. Double lock pin for safety. Rated at a capacity of 250kg. 250mm lift.

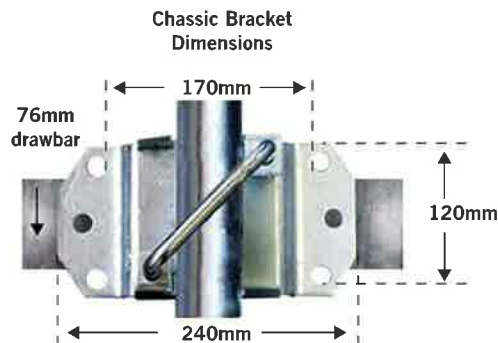
Part No:
303115

Spare parts

Part No:	Description:
644102	Handle assembly.
644107	350 x 4 Wheel & Tyre.
303231	Weld on bracket - bare metal.

U bolt fitting kits

271080	U bolt kit for fitment to a 76mm high drawbar.
--------	--



Trojan Ezi-Shifta Ratchet Jockey Wheel

This Trojan Ezi-Shifta Jockey Wheel is designed to move your Caravan or Trailer with minimum effort. It is easy to operate and is capable of moving up to 2 tonne on an even surface with minimum effort. It has three functions - forward, reverse & stop/lock. It is fitted with a 10" solid rubber wheel and has a load capacity of 280kgs.

Part No:
303250

Spare parts

Part No:	Description:
644102	Handle assembly.
629591	Clamp mount bracket



JOCKEY WHEELS - ACCESSORIES

Trojan Jockey Wheel Chock

Stops Jockey Wheel from moving. Ideal for trailers with no hand brake fitted.

Part No:
535082



JOCKEY STANDS

Trojan Jockey Stand

Flat foot. Folding handle. Galvanised finish. Pivots horizontal when not in use. Can be bolted or U-bolted to trailer frame. Two types available.

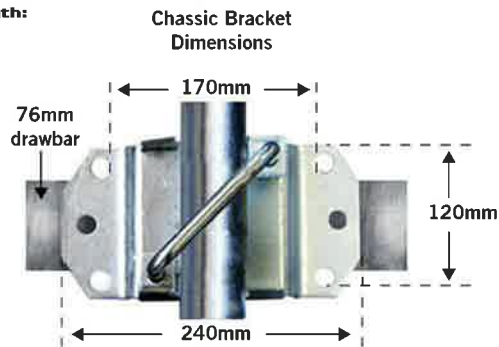
Part No:	Capacity:	Travel:	Retracted Length:
303118	350kg	300mm	550mm
303120	500kg	260mm	630mm

Spare parts

Part No:	Description:
644102	Handle assembly.
303231	Weld on bracket - bare metal.

U bolt fitting kits

Part No:	Description:
271080	U bolt kit for fitment to a 76mm high drawbar.



Trojan Jockey Stand

Flat foot. Fixed drop leg. Galvanised finish. Fixed side wind handle. Requires welding to attach to trailer. Two stage extension. 70 x 70mm square outer body.

Part No:	Capacity:	Retracted Length:	Fully Extended Length:
303121	1500kg	600mm	1300mm



SEE NEW PRODUCT SECTION PG iv

PARK LEGS

"The choice of the USA Military and Manufacturers". Bulldog trailer stands feature a high-strength, heavy-duty design making them the most "Tough and Trusted" to hold up under rigorous working conditions. Think BULLDOG when looking for trailer stand solutions.

Bulldog Park Legs

Part No:	Description:
A. 158151	Park Leg - RND SW Side - 900kg
B. 158452	Park Leg - RND SW Top - 900kg
C. 190708	Park Leg - SQ SW Top - 3600kg
D. 180455	Park Leg - SQ SW Side - 4500kg
E. 182804	Park Leg - SQ HD side - 5400kg
F. 500185	Park Leg - Bulldog Electric - 1500kg



CORNER JACK & HANDLE

Trojan Corner Jack & Handle

Corner Stand. Scissors action. Zinc plated. Bolts to trailer chassis (can be welded). Pivoting foot pad. Maximum extended height at right angles 650mm. Note: This is not to be used to lift vehicles to change wheels.

Part No:	Description:
655502	Corner Jack
655702	Handle



PARK LEGS

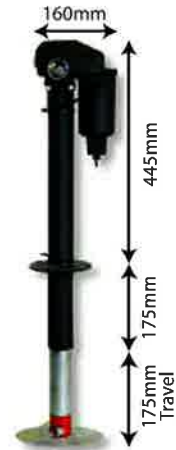
Trojan Electric Park Leg

12 DC volt only. Complete with three position switch & night light (pre-wired). Removable foot pad. Simple installation. 457mm travel.

Part No:	Capacity:	Travel:	Retracted Length:
307001	1350kg	457mm	670mm

Spare parts

Part No:	Description:
307013	Emergency handle



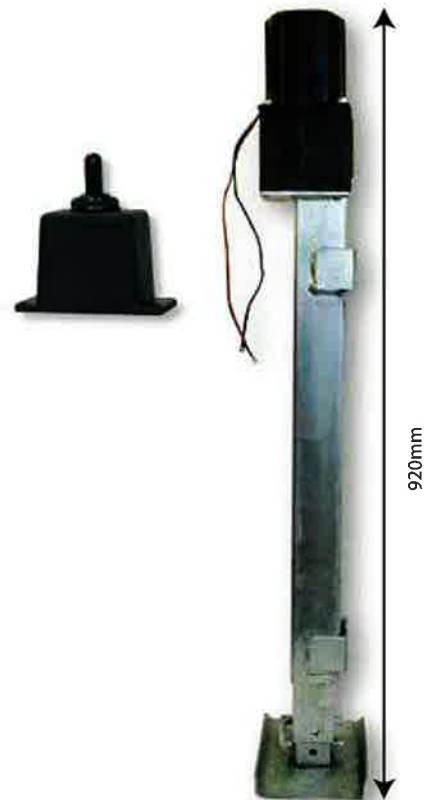
Trojan Electric Park Leg

12 DC volt only. Simple quick adjust 2nd stage leg. Built in overload clutch. Does require welding to attach to trailer. Optional three position switch available. Stroke of 530mm. Extended length 1879mm. Removable foot pad.

Part No:	Capacity:	Travel:	Retracted Length:
307007	3400kg	30mm	950mm

Spare parts

Part No:	Description:
307010	Three position switch & housing



WINCHES - MANUAL

Trojan Manual Winches are a high quality product especially suited for use on boat trailers but are also suitable for any general winching requirements.

Trojan Manual Trailer Winches - Premium

Multi-fit base holes. Stainless steel shafts, pawls & pawl springs. Galvanised bodies & components. Wire guard fitted to drum gear. All winches except 1:1 model are dual ratio. 10:1 & 15:1 models are supplied with two handles. Winches can either be purchased loose (less wire & hook) or in a display carton (which includes wire & hook).

Part No (pkgd with wire):	Part No (loose less wire):	Ratio:	Max Pull:	Wire Size:
461011	R8569	1:1	250kg	4mm x 6mtrs
461013	R8570	3:1 & 1:1	500kg	4mm x 6mtrs
461015	R8571	5:1 & 1:1	750kg	5mm x 7mtrs
461020	R8572	10:1 & 5:1	1000kg	5mm x 7mtrs
461023	R8573	15:1 & 10:1	1500kg	6mm x 10mtrs



Trojan Manual Trailer Winches - Enclosed

These winches are zinc coated and come fitted with a web strap include handle and come in a display box

Part No	Ratio:	Strap Length:	Hook:	Max Pull:
461045	5/3:1	6mtrs	Cast hook	900kg
461050	3/5/10:1	6mtrs	Cast hook	1130kg



WINCH WIRES & ROPES

Trojan Winch Wires

Made from galvanised wire and are complete with stainless steel hook.

Part No packaged:	Part No loose:	Dia & Length:	Capacity:
491030	R8587	4mm x 6mtr	600kg
491055	R8576	5mm x 7mtr	1000kg
491065	R8582	5mm x 10mtr	1000kg
491090	R8592	6mm x 10mtr	1500kg



Trojan Winch Ropes

No more cut hands! Trojan winch ropes are made from special high strength synthetic rope.

Part No packaged:	Part No loose:	Dia & Length:	Capacity:
862018	921830	8mm x 4mtrs	1000kg
862020	921850	8mm x 5mtrs	1000kg
862029	921860	8mm x 6mtrs	1000kg
862030	921870	8mm x 7mtrs	1000kg
862031	922870	10mm x 7mtrs	1500kg
862032	922890	10mm x 9mtrs	1500kg



Trojan Winch Wire Rope Hooks

Part No	Dia:	Type:
860010	10mm	S/Steel
860011	11mm	S/Steel



SEE NEW PRODUCT SECTION PG iii

WINCHES - FULTON

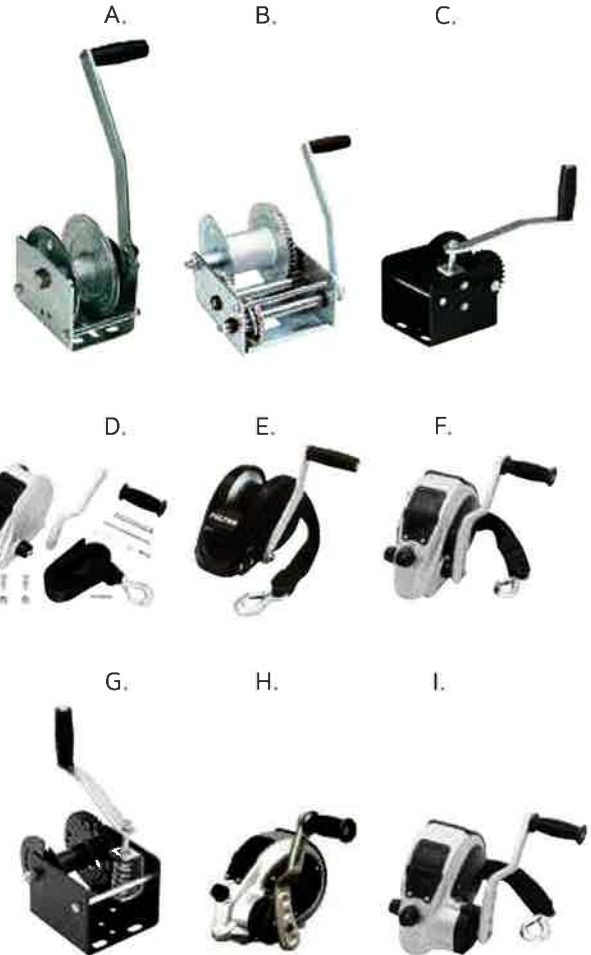
Fulton has produced the finest winches in the industry for over 50 years. The result of engineering innovation, superior materials, and rugged manufacturing, Fulton Winches offer the greatest applications coverage for your unique needs. Ranging from the stylish and innovative F2 Winch to the wide variety of one-speed and two-speed winches, and our rugged brake winches, Fulton offers a style and capacity to meet virtually every need.

When selecting a winch you'll generally need to:

- Determine the environment (wet environment, saltwater)
- Specify the capacity needed (Fulton products range from 600 lbs. to 2100 lbs.)
- Determine whether a single-speed or multi-speed winch is required (cranking resistance)
- The need for a braking solution to assist in managing the load (safety, pay-out)

Fulton Winches

	Part No:	Description:
A.	K650-0101	Braked - 290kg
B.	K2550-0301	Braked - 650kg
C.	KW1500103	Worm Gear - 650kg
D.	FW16000101	F2 - 700kg
E.	XLT18ZB301	XLT - 800kg
F.	FW20000101	F2 - 900kg
G.	KW20000103	Worm Gear - 900kg
H.	FWH32000301	F2 Heavy Duty - 1450kg
I.	FW32000101	F2 2 Speed - 1450kg



ROLLERS

Urethane Keel Rollers - Dark Blue

These are fitted with a galvanised pipe bush.

Part No	Overall Length	End Dia	Centre Dia	Bore Dia
415037	200mm	71mm	45mm	22mm
415031	302mm	80mm	55mm	22mm



Trojan Urethane Winch Post Rollers - Black

Part No	Overall Length	End Dia	Centre Dia	Bore Dia
415033	116mm	77mm	50mm	18mm



Trojan Urethane Winch Post Roller End Caps - Black

These can be used with part 415033 winch post roller

Part No	Overall Length	End Dia	Centre Dia	Bore Dia
415035	63mm	77mm	48mm	18mm



Wobble Rollers

Wobble rollers are used to support the boat on the trailer and can be used with or without keel rollers. Because of their large diameter and width, they offer excellent support and rolling action. For bracket assemblies to suit refer to page.

Part No:	Colour:	Tread:	Dia:	Width:	Bore Dia:
414032	Blue	Ribbed	112mm	73mm	26mm
414033	Grey	Ribbed	112mm	73mm	26mm



CHINE SUPPORTS

Chine Support

Used for supporting the chine of Jet Ski & smaller trailer boats. 270mm long.

Part No:
417100



Trojan Wobble Roller Bracket Assemblies

For mounting wobble rollers to trailer. Galvanised bolts. Two types available. Note: Rollers are not included (refer to page for wobble roller options).

Part No: 440020 **Description:** Dual Roller Assembly
440030 **Description:** Quad Roller Assembly



ROLLER FITTINGS

Wobble Roller Bracket Assembly Fittings

U-bolts & plates used for mounting wobble roller brackets to the trailer chassis. One plate and two u-bolts are required for each bracket.

Part No:	Description:	Unit:
441005	U-bolts M10 x 43sq x 112mm	2/pk
441010	U-bolt plate to suit 64mm chassis	1/pk
441015	U-bolt plate to suit 76mm chassis	1/pk
441020	U-bolt plate to suit 89mm chassis	1/pk
441025	U-bolt plate to suit 102mm chassis	1/pk



DROP-LOCKS & EYE PLATES

Drop Locks

Used to secure Trailer tailgate.

Part No (loose):	Part No (Pkgd 2/pk):	Description:
3232	331010	Weld on, short, 10mm dia x 12mm long
3274	331008	Weld on, short, 8mm dia x 10mm long
3275/2	331020	Bolt on, M12 male thread, 45mm long
3285	N/A	Bolt on, M8 male thread, 20mm long
N/A	331025	Screw on - Angled left & right
3290/1	N/A	Screw on - straight



Eye Plates

To be used with Droplocks to secure Trailer tailgate.

Part No (loose):	Part No (Pkgd 2/pk):	Description:
1002S	331060	3" long
1002	331065	6" long



D-SHACKLES

D-Shackles - Galvanised

Not recommended for lifting purposes.

Part No (loose):	Part No (Pkgd):	Description:
AG41	335005	6mm Galvanised D-Shackle, 400kg breaking strain
AG42	335010	8mm Galvanised D-Shackle, 800kg breaking strain
AG43	335015	10mm Galvanised D-Shackle, 1200kg breaking strain
AG44	335017	12mm Galvanised D-Shackle, 2400kg breaking strain



D-Shackles - Stainless Steel

Great for Marine application! Made from 316 graded stainless steel.

Not recommended for lifting purposes.

Part No (loose):	Part No (Pkgd):	Description:
870006	375006	6mm S/S 316 D-Shackle, 400kg breaking strain
870008	375008	8mm S/S 316 D-Shackle, 800kg breaking strain
870010	375010	10mm S/S 316 D-Shackle, 1200kg breaking strain
870012	375012	12mm S/S 316 D-Shackle, 2400kg breaking strain



D-Shackles - High Tensile

To be used with safety chain. Galvanised finish.

Part No (loose):	Part No (Pkgd):	Description:
820006	335018	10mm, suitable for Trailers up to 750kg WLL, 3000kg ATM
820008	335020	11mm, suitable for Trailers up to 1000kg WLL, 4000kg ATM



BODY HARDWARE

Lynch Pins

Part No (loose):	Part No (Pkgd 2/pkg):	Description:
AG1	333005	6mm dia
AG2	333010	8mm dia
AG4	333015	10mm dia



Rubber Bonnet Fasteners

Part No (loose):	Part No (Pkgd):	Description:
5301	336070	Small fastener, 63mm.
5300	336075	Large fastener, 125mm.



Spring Bolts

Part No (loose):	Part No (Pkgd):	Description:
837	331090	12mm dia pin
863	331092	16mm dia pin



Hinge Straps

Part No (loose):	Part No (Pkgd 2/pkg):	Description:
3/12	332005	3" long, 1/2" eye
3/58	N/A	3" long, 5/8 eye
1000/12	N/A	12" long, 1/2" eye
1000/58	N/A	12" long, 5/8" eye
1000/18	N/A	18" long, 1/2" eye



Hinge Pins

Part No (loose):	Part No (Pkgd 2/pkg):	Description:
1046	332100	1/2" dia, weld on
1046 5/8	N/A	5/8" dia, weld on
1016	332120	1/2" dia, bolt on



R Clips

Part No:	Description:
AG5	2mm dia Loose
AG6	3mm dia Loose
AG7	4mm dia Loose
AG8	5mm dia Loose
334006	2 x 2mm dia & 2 x 3mm dia Packaged
334008	2 x 4mm dia & 2 x 5mm dia Packaged



LASHING POINTS

Trojan Lashing Cleats

Great for Marine application! Rope cleat, made from 316 graded stainless steel.

Part No (Pkgd): 332300
Description: Rope Cleat, 125mm long



Trojan Lashing Loop

Flush mounted, recessed corner deck ring. Bolt through the floor and chassis for a strong unobtrusive lashing point.

Part No (loose): 535083
Part No (Pkgd): 332250
Description: Lashing Loop



Trojan Retractable Lashing Point

Spring loaded. Mounts flush when not in use, then pops up with a quick lever release when needed. Easy press finger touch.

Part No: 535088
Description: Retractable Lashing Point - 2/pk



Rope Hooks

Alloy rope hooks, two sizes available.

Part No (Pkgd 4/pk): 332215 Alloy hook - small
332220 Alloy hook - large



BODY HARDWARE

Door Locks - Universal Fitting

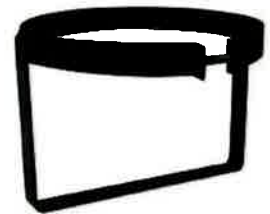
Part No:	Description:
812170	T Handle with keyed lock. Stainless Steel with adjustable Catch Plate. Mounting Hole Dimensions 100mm x 85mm
812173	Flush Mount with keyed lock. Black finish Face size 80mm x 35mm
812175	Flush Mount with keyed lock. Black finish Face Size 100 x 50mm
812177	Flush Mount with keyed lock. Chrome finish Face Size 80mm x 35mm
812179	Flush Mount with keyed lock. Chrome plated Face Size 100mm x 50mm



Gas Bottle Holders

Two sizes available. Both are bare steel and can be welded in place.

Part No	Diameter	Gas Bottle Size
828151	255mm	4 – 4.5kg
828155	325mm	9kg



Jerry Can Holder

For storing Petrol or Water containers. Bare steel so can be welded in place

Part No:	Description:
828130	370mm long x 180mm wide x 295mm high.



Trojan Safety Chain Kits

Part No:	Description:
335115	rated at 1600kg, 8mm dia, 550mm in length



Trojan Chain Mate

No more lost D-Shackles! Quick and simple to use. Secures safety chain to Towbar quickly. Two mounting options. Zinc plate finish.

Part No:	Description:
336056	Chain Mate, rated to 2000kg

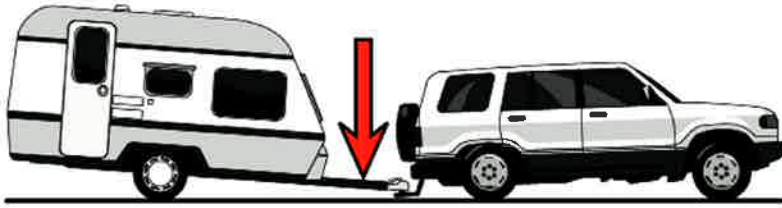


Vin Plates

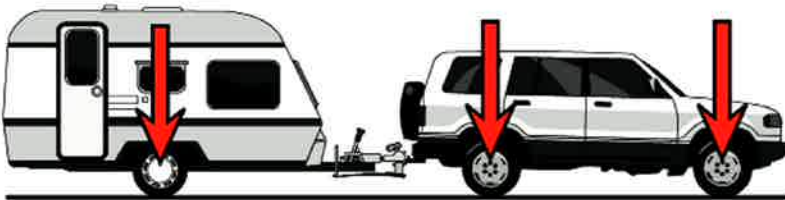
Part No:	Description:
825009	Small Plate. 170mm x 40mm.
825011	Large Plate. 245mm x 50mm



WEIGHT DISTRIBUTION & SWAY CONTROL



WITHOUT WEIGHT DISTRIBUTION



WITH WEIGHT DISTRIBUTION

Trojan Load-Leveller

The Trojan Load-Leveller is a weight distribution hitch which fits onto the draw bar of the trailer and is connected to the vehicle's tow bar by way of two parabolic springs. By adjusting the spring tension, tail sag caused by the load on the tow bar can be eliminated and in doing so weight is transferred back onto the front wheels of the tow vehicle. One of the benefits in redistributing the load is it helps eliminate sway. Please note: Not recommended for off road use.

Part No: 993921
Description: 160kg capacity.



Trojan Load-Leveller Chain Tensioner

Adjust your Load-Leveller chains with ease. This 600mm long bar makes it easy. Suits Trojan Load-Leveller 993921.

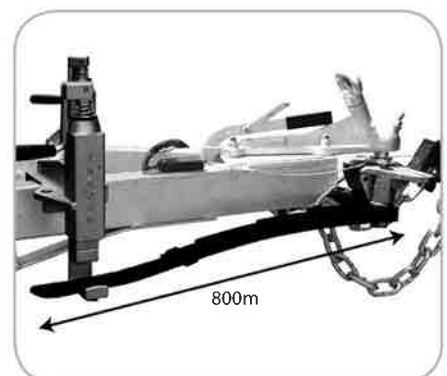
Part No: 993930



Trojan Load-Leveller Heavy Duty

This Trojan Load-Leveller evenly distributes weight over the entire length of the tow vehicle and trailer, resulting in a level ride with more control and stability, better braking, less strain on vehicle and increased towing capacity. Features include easy to adjust wind up spring tensioner, graduated load markings, fold away handles, quick attachment / release of springs, built in Anti Sway mounts (Anti Sway, part 993936 sold separately - see page 66). Heavy duty castings which have been electro zinc coated.

Part No: 993925
Description: 240kg capacity.



WEIGHT DISTRIBUTION & SWAY CONTROL

Trojan Sway Control

Dual friction brake pad system provides constant and adjustable sway reduction. Secures with socket and spring clip connectors. Minimises trailer sway caused by high winds, curving roads or sudden maneuvers. Mounts to weight distribution hitch (sold separately). Detaches quickly for storage. Fits other common brands of Weight Distributors.

Part No: 993936
Description: Sway control unit

Adaptor kits

Part No: 75193
Description: Adaptor kit to be used when fitting a Sway Control to a Load Leveller (993921).

Part No: 75198
Description: Adaptor kit to be used when fitting a Sway Control with no Load Leveller (993921) in place.



BUNGY CORDS WITH HOOKS

Trojan Bungy Cords with Hooks

Holding your gear down has never been easier. Sold as a pack of six containing 2 x 45cm (Red), 2 x 61cm (Black) and 2 x 76cm (Grey).

Part No: 63431
Description: Bungy Cords - 6/pk



TIEDOWNS

Trojan Transom Tiedowns

For securing the transom of a boat to the trailer.

Part No: 573010
Description: Transom thickness of 60mm or less. 1500mm long. Pkt/1



Trojan Tie Downs

We stock these tie downs in four different lengths to assure a perfect fit.

Part No: 573025
Description: 25mm wide x 1.8mtrs long. Rated at 500kgs each. Pkt/4.

Part No: 573027
Description: 27mm wide x 6mtrs long. Rated at 750kgs each. Pkt/2.

Part No: 573035
Description: 35mm wide x 6mtrs long. Rated at 1000kgs each. Pkt/1.

Part No: 573050
Description: 50mm wide x 9mtrs long. Rated at 2500kgs each. Pkt/1.



MIRRORS

Camco Blind Spot Mirrors

Convex wide angle mirrors to help eliminate blind spots. Adjustable 360° mirror rotates for different driving positions. Large mirror surface effectively increases viewing angles.

Part No: 25593
Description: Set of 2



Trojan Extension Towing Mirror

These mirrors offer superior quality and design. Fits most pickups, sport utilities and van mirrors. 50 x 128mm mirror. Arms adjust to fit existing mirrors. Simple to fit.

Part No: 53908
Description: Arms adjust between 140 to 230mm high



Trojan Extension Towing Mirror

These mirrors offer superior quality and design. Fits most passenger car side mirrors. 150 x 128mm mirror. Arms adjust to fit existing mirrors.

Part No: 53909
Description: Arms adjust between 90 to 180mm high



Trojan Extension Towing Mirror - Extra Large

Easy installation. Suitable for towing caravans, campers, boats etc. Mounts onto door. Extra large stainless steel mirror head.

Part No: 53910
Description: Extends from 330 to 470mm



SPARE WHEEL BRACKET

Trojan Universal Spare Wheel Mount

A universal fitting spare wheel mount bracket that will fit most trailers and wheels. Suits 4 & 5 stud wheels. Suits pitch circles from 4" to 5". Includes security lock. Fits 50 to 100mm RHS drawbars. Galvanised finish.

Part No: 535080



TOWING FLAGS

Trojan Over-length Towing Flag

Traffic regulations require all loads that extend past the rear of a trailer by 1.2 metres or more to be indicated by a flag at least 300mm in size (check state regulations as these vary). Trojan have designed this Towing Flag especially for boat trailers as a tilted outboard normally exceeds the allowed overhang. Simply fit the bag over the propeller and fasten with the draw cord. For night time use, the flag is available with an LED battery light.

Part No: 576005
Description: Flag bag with Light

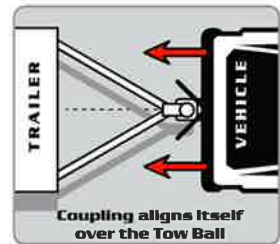
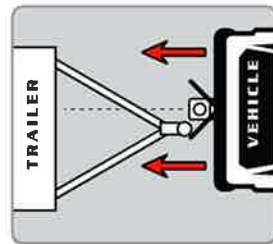


COUPLING ALIGNMENT ACCESSORY

Couple-Mate Coupling Alignment Accessory

Avoids vehicle damage. Can be fitted in minutes. Saves time on every hookup. Self aligns directly over your towball. Hooks up trailer - single handedly. Avoids arguments with your "Co-driver".

Part No: 570250



BEARING PROTECTORS

Trojan Bearing Boss - Stainless Steel

Replaces grease cap and once full of grease keeps bearings lubricated. Eliminates premature bearing failure by keeping moisture out and bearings full of grease as grease is under slight pressure. Quick and easy to install! Stainless steel components. Sizes to suit most Trailers. Large grease capacity.

Part No: 1781
Description: Dia 45mm, suits Trojan 1500kg hubs - bra included.
1980
Dia 50mm, suits Trojan 2000kg hubs. Late.
2047
Dia 52mm, suits Trojan 2000kg hubs. Early.
570028
Wheelmate bra - pair suits 45mm



TOWBALL WEIGHT SCALES

Product can weigh up to 365kg, has an easy to read weight gauge. The internal spring mechanism will provide years of trouble free service and the powdercoated finish will protect it from the elements. Ensure you are towing legally this season as you travel.

Part No
993920



TOWBALLS

Trojan Towballs

540079 suits 993921 Trojan Load Leveller.
541026 complies with Aust Standard AS4177.2 [2004].
614075 suits 614070 coupling.

Part No:	Ball Dia:	Shank Dia / Length:	Capacity:	Finish:
540079	50mm	7/8" x 60mm	3500kg	Chrome
541024	1 7/8"	7/8" x 60mm	3500kg	Zinc
541026	50mm	7/8" x 50mm	3500kg	Chrome
541028	50mm	1" x 50mm	3500kg	Zinc
614075	70mm	1 1/2" x 50mm	6000kg	Zinc



TOWBALL ACCESSORIES

Trojan Chrome Towball Covers

Clips on securely. Fits 50mm & 1 7/8" Towballs.

Part No:	Description:
541050	Towball cover - each, blister packaged
540085	Towball cover - bulk (order in multiples of 12 only)



Trojan Rubber Shin Protectors

Made of soft rubber, the shin protector fits over the towbar and prevents bruised legs if walked into. Simple to fit and fits all sized towbars.

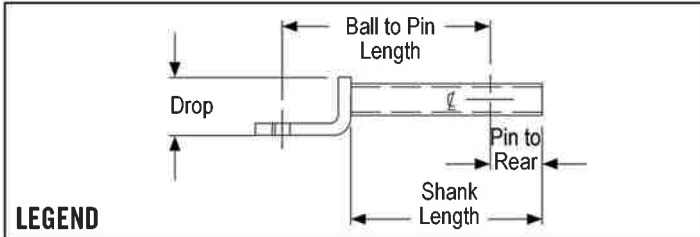
Part No:	Description:
541106	Shin Protector - each, packaged
540062	Shin Protector - bulk (order 18 to receive display box)



SEE NEW PRODUCT SECTION PG vii

BALL MOUNTS - PRO SERIES

Trailer Ball Mount



LEGEND

For towing capacity details please refer to your vehicle owner's manual or to the vehicle manufacturer. These products may reduce your vehicle tow rating capacity.

Part No	Capacity	Ball to Pin Length	Shank Length	Drop	Pin to Rear
PR07010	2500kg	332mm	305mm	98mm	83mm
PR07011	3500kg	227mm	200mm	98mm	83mm
PR07012	3500kg	193mm	166mm	98mm	83mm
PR07227	2500kg	237.5mm	220mm	160mm	110mm
PR07200	2500kg	300mm	250mm	155mm	83mm



PR07010



PR07011



PR07012



PR07227



PR0200

BALL MOUNT ACCESSORIES

Trojan Hitch Pin Lock 5/8"

Protects your trailer ball mount from theft. Protective cap shields lock mechanism. Suitable for hitches from 65mm to 80mm. R Clip supplied for extra security. Deadbolt for your towbar. Quick and simple to use. Two keys supplied.

Part No:
570255



Fold-away Bracket

These swivel brackets allow a trailer draw bar to be folded 180 degrees horizontally. Ideal for use where parking space is at a premium. These brackets are only suitable for fitment to single pole draw bars. Two types are available being weld on and bolt on. The bolt on version is Zinc Plated while the weld on is bare steel. Two sizes are offered being to fit 3" x 3" and 4" x 3" draw bars.

Part No:	Size:	Type:
993910	3 x 3	Weld on
993912	3 x 3	Bolt on
993911	4 x 3	Weld on
993913	4 x 3	Bolt on



BODY HARDWARE

Trojan Safety Chain Kits

Part No: 335115
Description: rated at 1600kg, 8mm dia, 550mm in length

Vin Plates

Simply write your details with a ball point pen to etch the plate.

Part No: 825009
Description: Small Plate. 170mm x 40mm.
 825011 Large Plate. 245mm x 50mm



COUPLING LOCKS

Trojan Coupling Lock - Multi Fit

This Trojan Coupling Lock is a device which fits into the coupling ball socket preventing the trailer from being connected to the tow vehicle. It is expandable so will suit both 50mm & 1 7/8" couplings. Two keys are supplied with each lock. No tools required.

Part No: R8512



Trojan Guardian Coupling Lock

This zinc coated security device allows the securing of both non-braked and braked couplings and is a visual deterrent to help avoid theft. It comes complete with a good quality lock and is easy to use. Locks both on and off the vehicle.

Part No: 550308
Description: Includes lock and two keys



Trojan Wheel Lock Nuts

Chrome wheel lock nuts. Includes key.
 Prevents theft of Alloy Wheels and Spare Wheels on trailers.

Part No: PT10241
Unit: Pkt/4
Thread: 1/2"
Hex AF: 13/16"
Taper: 60o

Part No: PT10242
Unit: Pkt/4
Thread: 7/16"
Hex AF: 13/16"
Taper: 60o



WHEEL CLAMPS

Trojan Defender Plus

The Trojan Defender Plus Wheel Clamp is simple and quick to attach, has a highly visual deterrent and tyre puncture fork. This extra heavy duty wheel clamp suits 13" - 16" wheels.

NOTE: Shipped in brown carton



Trojan Defender Wheel Clamps

The Trojan Defender Wheel Clamp is quick and simple to fit, has a zinc and powder-coated finish and is fitted with a high quality lock. It also includes a disc which helps to cover the wheel nuts adding a further deterrent from theft. It has been designed to fit most 13" to 15" wheels.

Part No:	Suits Tyre width:
522101	165 - 195mm
522102	195 - 235mm

NOTE: Shipped in retail carton



CLEARANCE & MARKER LIGHTS

Trojan LED Marker Light - Multi Volt

Part No:	Description:
2490	Amber, 70 x 37mm
371023	Red / Amber, 55 x 35mm
371025	Amber, 55 x 35mm
371037	Red, 55 x 35mm
371039	White, 55 x 35mm



Trojan LED Marker Lights - Multi Volt Submersible

Part No:	Description:
371011	Red, 65 x 27mm rectangular
371013	Amber, 65 x 27mm rectangular



Trojan LED Marker Light - Multi Volt Submersible

With 7.5mtr wire

Part No:	Description:
371055	Amber, 110 x 50mm rectangular
371027	White, 110 x 50mm rectangular



Trojan Marker Light - 12V

Part No:	Description:
86050	Amber, 110 x 42mm rectangular



Trojan LED Marker Light - Multi Volt

Part No:	Description:
371021	Red / Amber, 69 x 75mm. Rubber body



COMBINATION TAIL LIGHTS

Trojan offer a wide range of lights in both Trojan, Hella and Narva brands. If the light you require is not listed we can obtain against a firm order. All lights are complete with bulbs.

Trojan Combination Tail Light - 12V Economy

Lights include Stop, Tail, Indicator, Number Plate & Reflector.

Part No: 86040
Description: 100mm square no reflector



Trojan LED Combination Tail Light 12V

Lights include Stop, Tail, Indicator, Number Plate & Reflector.

Part No: 371033
Description: LED Comb light 9-36V
371035 LED Comb light 9-36V (R.H Inc. number plate light)



Trojan LED Combination Tail Light 12V

Lights include Stop, Tail, Indicator, Number Plate & Reflector.

Part No: 2320
Description: 117 x 92mm rectangular, left hand side
2325 117 x 92mm rectangular, right hand side



Trojan LED Combination Tail Light - Multi Volt

Lights include Stop, Tail, Indicator, Number Plate & Reflector.

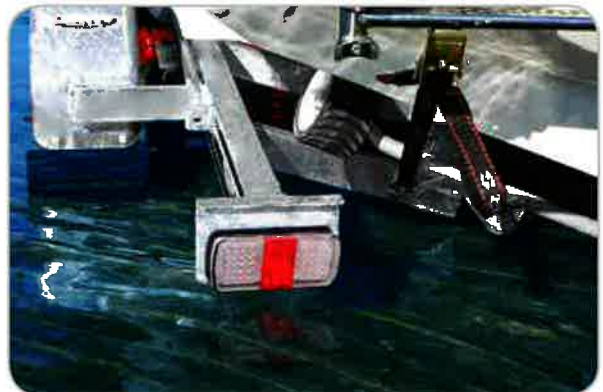
Part No: 371029
Description: 275 x 100mm Rectangular



SUBMERSIBLE LIGHTS

Trojan LED Submersible Combination Lights - Multi volt 12/24V

Lights include Tail, Stop, Indicator, Number Plate & Reflector. The number plate light is "Two Way" allowing the plate to be mounted either below or beside the light itself. These lights are prewired with 9 meters of wire. The set also includes a 7 pin flat male connecting plug. The base of these lights are "multi fit" allowing easy replacement of other common brands. Lenses are made from high impact Polycarbonate and are UV stabilised. These lights are ADR compliant and come with a full 2 year warranty. Dimensions are: L: 182mm H: 85mm D: 36mm



Part No:	Description:
371051	Display Pack including 1 x Left Hand Light, 1 x Right Hand Light & 1 x 7 Pin Flat Plug
371052	Left Hand Light
371054	Right Hand Light



Premier Submersible Combination Light

Includes Tail, Stop, Indicator, Number Plate & Reflector. These lights are constructed from polycarbonate plastic.

Part No:	Description:
SUBMERSE	Submersible Combination Light Pack 12V

Spare Parts

Part No:	Description:
381050	Lens Red
381052	Lens Red - Number Plate Side
381055	Lens Amber



Submersible Light Licence Plate Mount

Licence plate mount - Allows flexible mounting of the licence plate below the tail light. It is ideal when used in conjunction with the Trojan LED Light.

Part No:
535081



NUMBER PLATE LIGHTS

Trojan Number Plate Light - 12V Economy

Part No: 86057
Description: 80 x 30mm rectangular inc. globe



Trojan LED Number Plate Light - Multi Volt

Part No: 371031
Description: 120 x 40mm rectangular



REFLECTORS

Trojan Reflectors

Self adhesive or bolt on.

Part No: 370053 Red Bolt On, 96 x 38mm
Part No: 370050 Red Stick On, 96 x 38mm
Part No: 370055 White Stick On, 96 x 38mm
Part No: 370057 White Bolt On, 96 x 38mm



LIGHT BOARDS

Trojan Combination Light Boards - 12V Economy

Light boards include two Combination Tail Lights, two Reflectors, 6mtrs of Cable & one 7 Pin Flat Plug. Three sizes available.

Part No: 822060 1.2mtr long board
Part No: 822062 1.5mtr long board
Part No: 822064 1.8mtr long board



PLUGS, CABLES & ACCESSORIES

Trojan 7 Pin Flat Trailer Connectors

For connecting the Trailer Lights to the Tow Vehicle.

Part No (loose):	Part No (Pkgd):	Description:
B4U	362060	7 Pin Flat Male Plug
B5U	362065	7 Pin Flat Female Socket



Trojan 7 Pin Round Trailer Connectors

For connecting the Trailer Lights to the Tow Vehicle.

Part No (loose):	Part No (Pkgd):	Description:
82181	362070	7 Pin Round Male Plug
82052	362075	7 Pin Round Female Socket



Trojan 7 Pin Jumper Cables

Allows different 7 pin plug combinations to be used.

Part No (loose):	Part No (Pkgd):	Description:
82245	362083	7 Pin Round on Tow Vehicle / 7 Pin Flat on Trailer
82235	362080	7 Pin Flat on Tow Vehicle / 7 Pin Round on Trailer



Plug Holders

For storing your 7 Pin Trailer Plug when not in use.

Part No (loose):	Part No (Pkgd):	Description:
B4 PH	362085	Plug Holder suits 7 Pin Flat Plug
8000 PH	362087	Plug Holder suits 7 Pin Round Plug



Trojan Wiring Cable

832100 5 Core, 2.5mm, 5amp - 100mtr roll



Cable Clamps & Connectors

Part No:	Description:
8730	P Clips 8mm, suits 5 core cable, UV resistant black nylon - 100/pk
8733	Chassis cable clamp, suits 5 core cable, stainless steel.
361110	Chassis cable clamp, suits 5 core cable, stainless steel - 6/pk
56160	Quick crimp cable connectors - 50/pk
56160BK	Quick crimp cable connectors - 100/pk



RV, CARAVAN & BOAT LIGHTING

Trojan Low Profile LED Down Light

Low Profile LED Down light is particularly suitable to more applications where the depth of cut-out hole is limited. Highly polished 304 stainless steel, down light with clear PC lens. Lens is specially designed to distribute light illuminated from white LED's. Circuit board completely sealed in epoxy to resist water, corrosion and vibration. 18 LED's is the approximately equivalent brightness of a 7 watt halogen bulb at a rated 12V. Rated at 12V and is operative at 13.8V. Super long life span up to 100,000 hours.

Part No: 372005
Description: 65mm dia



Trojan LED Cabin Light

White Plastic housing accommodated with switch is convenient and great for cockpit or interior use. Clear PC lens is specially designed to vastly distribute light vastly illuminated from white LED's. Circuit board completely sealed in epoxy to resist water, corrosion and vibration. Available in white and white/red Nav. combination. 18 LED's is approx. equivalent to the brightness of a 7 watt halogen bulb at 12V. Rated at 12V and operative at 13.8V. Super long life span up to 100,000 hours.

Part No: 372015
Description: White LED's, 103mm dia
372013
Description: White & Red LED's, 103mm dia



Trojan LED Interior or Cabin Lights

Highly polished 304 stainless steel, or white powder coated aluminum dome light, with clear PC lens. Lens is specially designed to vastly distribute light illuminated from white LED's. Circuit board completely sealed in epoxy to resist water, corrosion and vibration. 18 LEDs is approximately equivalent to brightness of a 7 watt halogen bulb at 12V. Rated at 12V and operative at 13.8V.

Part No: 372009
Description: White surround, 140mm dia



RV, CARAVAN & BOAT LIGHTING

Trojan Compartment Light

Opal PC lens and PC housing, 21mm thru wall mounting. This submersible light is great for livewells, lockers or compartments. Circuit board completely sealed in epoxy to resist water, corrosion and vibration. Rated 12V designed at 13.8V. Super long life span up to 100,000hours.



Part No:	Description:
372021	32mm dia

Trojan LED Rail Lights 12V

This series of lights feature rotating frame to adjust light direction to where needed. Superbright LEDs output sufficient illumination to a desired area, optional Red/White LED configurations. Frosted plastic lens and white painted alum extrusion frame. Three sizes available.

Part No:	Description:
372101	150mm long
372103	300mm long
372105	450mm long



RV / CARAVAN LEVELS

Trojan Bullseye Level

Mounts anywhere on or in your RV / Caravan. Round domed level reads 360° at once.

Part No:
309415



Camco Bullseye Level - Large, 63.5mm dia

Mounts anywhere on or in your RV / Caravan. Round domed level reads 360° at once.

Part No:
25573



Trojan Cross Check Level

Mounts anywhere on or in your RV / Caravan. Reads two directions at once - provides front to back and side to side leveling.

Part No:
309615



Trojan Reflective Levels

Mounts anywhere on or in your RV / Caravan. Easily seen from a distance. Used for front to back or side to side leveling.

Part No: **Qty:**
309915 **2/pack**



LEVELLING / STABILISING ACCESSORIES

Camco Tri-Leveler™

Raise your RV up to 2 - 7cm on any tyre for a more level position. Helps appliances and tanks operate more efficiently. Lightweight, durable resin has a non-slip surface. Each Tri-Leveler has a load capacity of 1500kgs.

Part No:
44573



Made in USA

LEVELLING / STABILISING ACCESSORIES

Camco Wheel Chock

Chocks keep your trailer in place so you can re-hitch with confidence. Solidly constructed of durable hard plastic with UV inhibitors.

Part No:
44412
44472

Description:
Chock
Chock with rope



Made in USA

LEVELLING / STABILISING ACCESSORIES

Camco Super Wheel Chock

Keep your vehicle and trailer from moving. Keep your trailer in place and re-hitch with confidence. Solidly constructed of durable polypropylene with UV inhibitors. Extra large size.

Part No:
44492



Made in USA

Camco Stabiliser Jack Pads

Specifically designed for use with stack jacks, fifth wheel stabilisers, swing down stabilisers and awning arms to keep them from sinking into soft ground. Interlocking for convenient storage with handy strap. Built in handle for ease of use. Solidly constructed of durable polypropylene with UV inhibitors.

Part No:
44595

Qty:
4/pack



Made in USA

Camco Stabilising Trailer Stands

Features include a heavy duty non-corroding cast aluminum base with steel screw assembly and a permanent handle. Adjustable from 28 to 43cm. Certified 2720kg load capacity. For Caravan / RV stabilising use only.

Part No:
44561

Qty:
2/pack



LEVELING / STABILISING ACCESSORIES

Camco AccuPark™

Parking made easy! Park your vehicle in the same place every time with AccuPark. Great for cars, trucks, RVs and trailers. Adhesive tape strips included.

Part No:
44442



Made in USA

Valley Hitch Aligner

Get aligned the first time without assistance and annoying hassle of repeatedly getting in and out of your vehicle to check alignment. The brightly coloured day glow balls are easy to line up using line of sight. When the balls touch, you're ready to hitch! The telescoping rods extend up to 1.06mtrs and collapse down to 34.3cms for storage. Attach one of the units to the trailer and the other to the hitch. Heavy duty magnets in the base of the units stick firmly to any steel surface. Weighs less than 340grams and the chrome finish prevents rust for long life.

Part No:
53410



RUGS, MATS & STOOLS

Trojan RV / Caravan Step - Aluminium

Light weight aluminium construction. Non-corroding. Compact collapsible design. Locking legs for safety. Extra large non-slip surface.

Part No: 578151 Size: 605 x 350 x 200mm



Trojan RV / Caravan Step - Steel

Zinc plated steel. Fold away design. Small foot print. Robust construction. Anti-slip tread surface.

Part No: 578153 Size: 490 x 200 x 150mm



AWNING SCREENS & ACCESSORIES

Camco Awning Anchor Kit

Sturdy strap and springs provide even distribution of tension and make securing your awning easy. Extra holding power of spiral stakes works well in all kinds of soil and makes this unit ideal for use in sandy soil. Perfect for use at the beach. Kit stores compactly and fits all awning sizes.

Part No:
42593



Camco De-Flapper™ MAX

A new, larger version of the original De-Flapper™ with wider grippers to keep awnings even more stable in wind or rain. Patented.

Part No: 42251 Qty: 2/pack



Camco De-Flapper™

Protect your RV awning from costly rips and tears while preventing noisy wind flapping. De-Flapper™ holds securely with hook and loop fastener straps. Made of durable nylon with UV stabilisers, chemically resistant and rust proof. Universal fit. Soft, non-marring grippers protect awning fabric. Can be used with screen room in place. Patented.

Part No: 42061 Qty: 2/pack



Made in USA

OUTDOOR ACCESSORIES

Camco Collapsible Bucket

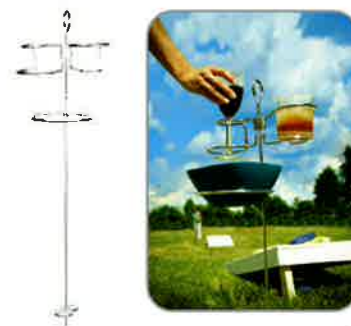
The perfect size for RVing, camping, boating, fishing and more. 11 litres capacity. Opens easily to 23.5cm tall and folds to less than 3.5cm for compact storage. Zippered storage bag included.

Part No:
42993



Camco Topsy Stix

Holds a variety of beverages and snacks. Beverage holders lock in two ways for standard size beverages. Bonus snack holder holds bowls and plates. Great for outdoor parties and activities.



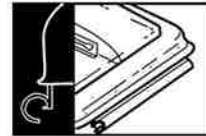
VENT LIDS

Camco Polypropylene Replacement Vent Lids

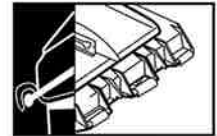
Impact resistant vent lids come pre-assembled and includes all mounting hardware for quick, easy installation on all 35.5 x 35.5cm RV vents. Hardware is rust resistant. Replaces models below:



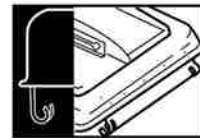
Part No:	Description:
40152	New Jensen for metal vent
40158	Ventline, Elixir since 1994
40159	Elixir before 1994



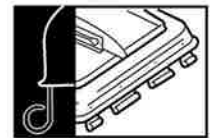
Old style Elixir



New Jensen metal vent



Ventline & new Elixir



Jensen with pin hinge

Made in USA

Camco Unbreakable Polycarbonate Vent Lids

Unbreakable 35.5 x 35.5cm vent lids are pre-assembled and include rust-resistant mounting hardware for quick, easy installation. Lifetime warranty. Replaces models below:



Part No:	Description:
40168	Ventline, Elixir since 1994

Made in USA

Camco Universal Vent Installation Kits

Replace or install roof vents, side mount vents, plumbing stacks and refrigerator vents. 1.9cm x 2.4mtr kits include screws and instructions.

Part No:	Description:
25003	For aluminum or other metal roof
25013	For rubber roof



Made in USA

VENTADOMES

Ventline Ventadomes

Specifically designed for recreational vehicle use. Two types available - non-powered or fitted with an efficient 12 volt fan complete with switch. Screw mounted. Manual crank dome lift. 35.5 x 35.5cm. Fits standard 14" x 14" hole. Suits roof thickness of 25 - 50mm. Other sizes available.



Part No:	Description:
578105	Non-powered
578110	12V powered fan

Made in USA

VENT COVERS

Camco Vent Cover

Leave your vent open rain or shine. This vent cover offers high flow ventilation in an aerodynamic design. Removable louvers for easy cleaning. Mounts to existing 35.5 x 35.5cm roof vents. UV stabilised resin for years of rugged use.

Part No:
40433



Made in USA

Camco Aero-10™ RV Roof Vent Cover

Get high flow fresh air ventilation and light into your RV, rain or shine. Streamlined covers have 30% more open vent area than other brands. Swing open design makes cleaning easy. Made of rugged UV stabilised resin. Instructions and necessary hardware is included. Installs easily by mounting to existing 35.5 x 35.5cm roof vent.

Part No:
40421



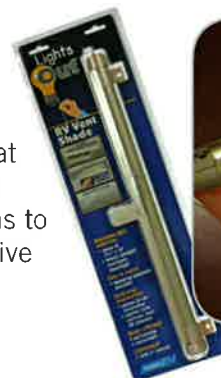
Made in USA

VENT SHADE

Camco Lights Out™ Vent Shade

Prevent light from shining into your RV sleeping quarters at night. Easily mounts to ceiling and retracts into the space efficient housing to allow light inside during the day. Opens to 35.8 x 48.2cm. The durable and lightweight vinyl's reflective finish reflects heat to keep RV cool.

Part No:
42913



SOLAR VENTS

Trojan Solar Vents

A brilliant simple way to ventilate boats, caravans, RV's etc. Powered by natural light - Operates without wires, batteries or with any running costs involved. Helps reduce mold, mildew, moisture and excessive heat buildup. 215mm diameter. 54515 is low profile, projecting 36mm & 54500 projects 60mm above your caravan roof or boat deck. Two styles available.

Part No:
54500 **Description:**
54515 **White plastic cowling**
 Stainless steel cowling



WATER HEATING HARDWARE

Camco Anode Rods

Anode rods extend the life of a water heater by attracting corrosive elements in the water, protecting your tank and elements from corrosion. Patented.

Part No: 11553	Description: Magnesium rod for Atwood heaters. 1.2cm diameter. 11cm long.
11563	Aluminum rod for Suburban (Mor-Flo) heaters. 1.9cm diameter. 24cm long.



KITCHEN

Camco Mini Dish Drainer & Tray

Fits RV sinks, and is sized just right for limited counter space. Sloped drainer tray keeps counters dry. Drain tray snaps on top of rack for handy storage. Durable heavy-duty construction.

Part No:
43511



Made in USA

Camco Refrigerator Bars

Keep order in your refrigerator during travel. Spring loaded bars keep items in place. Extend from 40.6 to 71cm.

Part No:
44073

Description:
Double Refrigerator Bar - White



Mini Ice Cube Trays

Small trays fit perfectly into RV, Boat or dorm freezers. Provides small size cubes for quick freezing. 22.8 x 10 x 2.5cm. Set of two.

Part No:
44100

Qty:
2/bag



Made in USA

KITCHEN

Camco Stack-A-Plate™

Has a non-slip backing. Use in your cabinet to keep plates organised, and to stop them from sliding and rattling. Plates stay in place while traveling and are more protected from breakage. Set of two - one fits plates up to 18.4cm; the other fits plates up to 26cm. Colonial white. Dishwasher safe.

Part No:
43603



Made in USA

Camco Fridge Brace™

Keep food from sliding as you go down the road. Helps keep cartons upright to reduce the risk of messy spills. Two pack. Patented.

Part No:
44033



Camco Fridge Door Stay

Keeps your refrigerator door held open during storage. Improves air circulation and helps prevent mold and odor build-up.

Part No:
45641



Camco RV / Marine Showerhead Kit

The same showerhead described above, packaged with a flexible 1.5mtr shower hose. Kit includes showerhead, flex hose, washers, wall mount and hardware. Shower Flex Hose features built-in connectors for easy installation. Chrome.

Part No:
43713



FRESH WATER

Camco Drinking Water Hose

Super heavy duty hoses are reinforced for maximum kink resistance. Especially useful when hooked with a Y-valve to your main faucet. Made of FDA approved materials; drinking water safe.

Part No:	Description:
22739	25ft
22749	10ft



GENERAL HOUSEWARES

Camco Slip-Stop®

Keep everything safe and secure by preventing slipping and sliding. Washable, easily trimmed material works in tool boxes, rugs, van floors, shelves, dash boards or anywhere things slide around or rattle in your RV. Use as a liner between plates, cups and appliances.

Part No:	Description:
43277	Cream - 30.5cm wide / 3.6mtrs long (roll)
43278	Blue - 30.5cm wide / 3.6mtrs long (roll)



Camco Stainless Steel Trash Can

Stainless steel trash can with easy-to-remove insert features a hands-free pedal operated lid that fits tightly to contain odors. Rectangle shape saves space in RVs and boats. Can be used free standing or wall mounted. 3.8ltr size

Part No:
43931



Camco Pop-A-Bag™

Store grocery bags, trash bags and dryer sheets efficiently. Plastic bag holder/dispenser mounts easily on wall or inside cabinet with screws or double sided tape. Holds up to 25 grocery bags.

Part No:	Description:
57061	White
57071	Almond



Camco Pop-A-Hanger™

Create a wastebasket anywhere with the Pop-A Bag Hanger. This is a great way to re-use your plastic grocery bags and save money on trash bags. Install inside cabinet door, on a wall or workbench area. Pop-A Bag Hanger comes with double sided tape for easy installation. Patented.

Part No:	Qty:
43593	Set of 2



Made in USA

Camco Pop-A-Towel™

Keep paper towels clean and conveniently located. Holder can be permanently mounted on cabinet door, wall or under cabinet. Slides off the mounting bracket to stand alone or carry as needed. Patented.

Part No:	Description:
57111	White



Made in USA



VENTLINE
By DEXTER

CAMCO

FULTON

Trailcom - a division of Trimas
Corporation Pty Ltd
PO Box 98-961
Manukau City MANUKAU 2241
1800 059 899
trojan@trailcom.co.nz

New Zealand: **Auckland**

Trailcom - a division of Trimas
Corporation Pty Ltd
PO Box 7383
Sydenham CHRISTCHURCH 8240
1800 059 899
saleschch@trailcom.co.nz

New Zealand: **Christchurch**

Trailcom - a division of Trimas
Corporation Pty Ltd
PO Box 4050
Dandenong South VIC 3164
1800 059 899
sales@trojanparts.com.au

Australia: **Melbourne**



www.trojanparts.com.au